

Pendant 48 V

# NEO-ORYO-P 101.927.15/DALI



## Description

- filigree pendant luminaire with slightly conical light-head for 48 V track system
- outstanding ease of maintenance
- no UV and thermal emissions
- anti-glare shield and decorative anti-glare ring available as accessories
- light-head made from die-cast aluminium
- innovative thermal management with design-integrated passive cooling
- high performance specular aluminium reflector with precise symmetrical beam characteristic for high luminous efficiency and glare-free lighting
- black internal thermoplastic front ring
- black connecting cable (length: 1000 mm, other cable lengths on request)
- clear acrylic safety glass
- 48 V track adapter with integrated DALI ballast

## Standard options



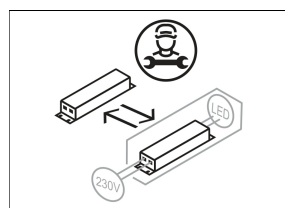
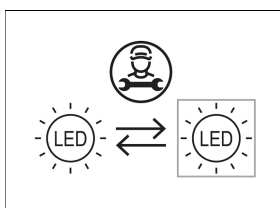
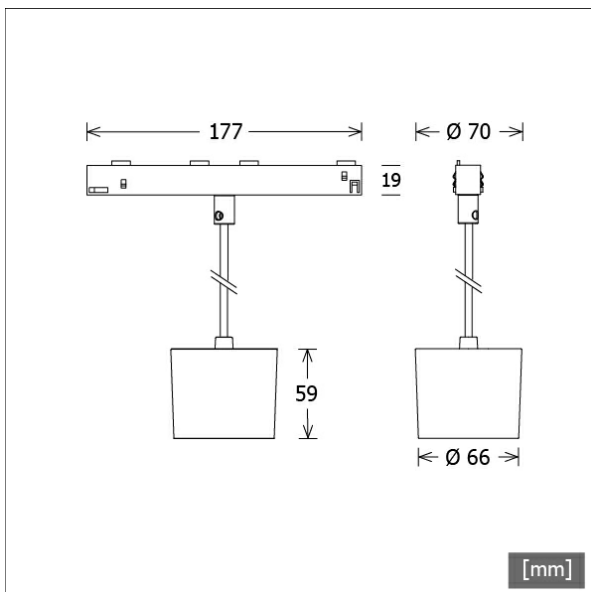
Colours	Article no.	EAN
black	652382	4043544610997
white	652383	4043544611000

## Lighting data / Norms

Lamps	LED Spot / CRI 90 / 2700 K
EPREL light sources	881944
Lifetime	L90 B50 50.000 h L80 B50 100.000 h L80 B20 50.000 h
System power	21.2 W
Luminaire luminous flux	1370 lm
System efficiency	64.62 lm/W
Module efficiency	124.38 lm/W
UGR class	≤22
Beam range	Spot
Beam angle	15°
Protection class	II
Type of protection	IP20

## Dimensions / Weights

Outer diameter	66 mm
Height	59 mm
Diameter of light head	66 mm
Net weight	0.52 kg
Gross weight	0.62 kg

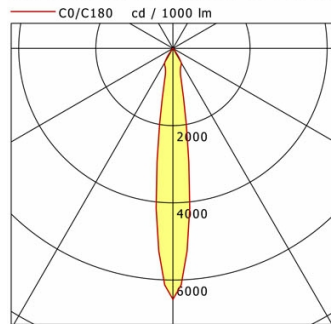


Pendant 48 V

# NEO-ORYO-P 101.927.15/DALI

## NEO-ORYO-P 101.927.15/DALI

NeoORYO 100 | Pendant | 48 V (1xLED 21W 927/2700K 1370lm)



	C0	C90	C180	C270
0°	6500	6500	6500	6500
15°	810	810	810	810
30°	427	427	427	427
45°	14	14	14	14
60°	11	11	11	11
75°	1	1	1	1
90°	0	0	0	0

cd / 1000 lm

Offset [m]	Cone width [m]	Illuminance [lx]
3.0	0.79	989.4
6.0	1.57	247.4
9.0	2.36	109.9
12.0	3.15	61.8
15.0	3.93	39.6

C0-C180 Plane

<b>η</b>	LED
Efficiency	65 lm/W
Direct/Indirect	↓ 100% / ↑ 0%
System Power	21 W
<b>UGR</b>	X=4H, Y=8H
Reflection factors	70/50/20
UGR C0/C180	19.7
UGR C90/C270	19.7
CIE Flux Codes	97 100 100 100 100
Ra/CRI	>90

LTS

### Accessories



**NEO-A 10/9500-1/ST6-E**  
48 V surface-mounted track NeoLine with data bus  
(length: 1000 mm)



**NEO-A 20/9500-2/ST6-E**  
48 V surface-mounted track NeoLine with data bus  
(length: 2000 mm)



**NEO-A 30/9500-3/ST6-E**  
48 V surface-mounted track NeoLine with data bus  
(length: 3000 mm)



**NEO-Z CONV 1X150**  
power supply for 48 V systems 1x150 W



**NEO-Z CONV 1X150/CAS**  
power supply for 48 V systems 1x150 W with  
Casambi technology for wireless light control



**NEO-Z CONV 2X150**  
power supply for 48 V systems 2x150 W



**NEO-Z CONV 2X150/CAS**  
power supply for 48 V systems 2x150 W with  
Casambi technology for wireless light control



**ZB-AGS 001**  
anti-glare shield



**ZB-DAR 001**  
decorative anti-glare ring



**ZBW 88**  
honeycomb louvre