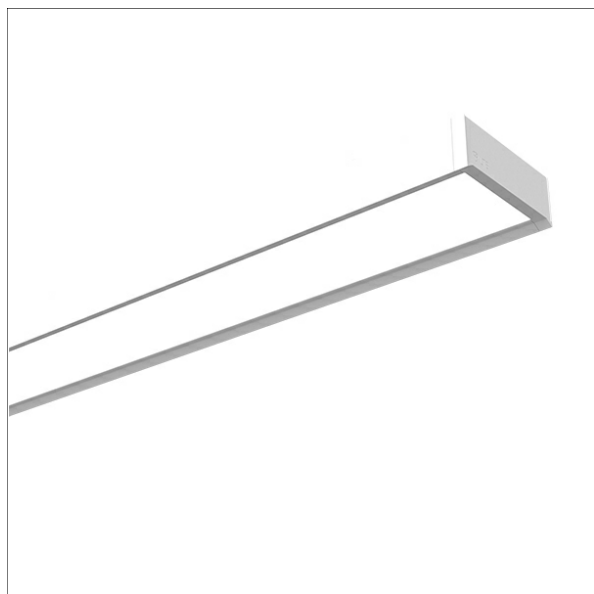
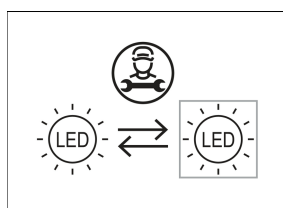
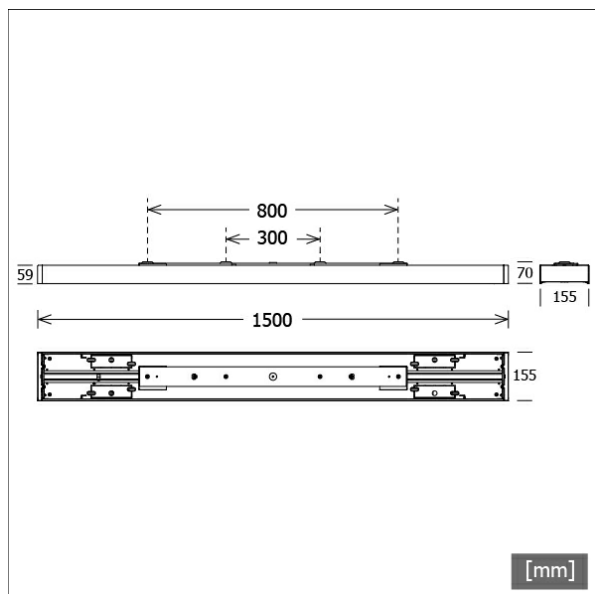


# MILA-A 104.1500.840/DALI



Colours	Article no.	EAN
silver	660031	4043544792259
black	660032	4043544792266
white	660033	4043544792273



## Description

- dimmable ceiling luminaire in rectangular design for direct lighting of workplaces
- outstanding ease of maintenance
- no UV and thermal emissions
- housing made from extruded aluminium
- end covers made from die-cast aluminium and sheet steel
- diffuser for optimal glare control made from microprismatic acrylic glass with integrated matt foil
- direct screw mounting on ceiling
- 5-pole terminal block
- ballast (LED converter) integrated (with DALI dimming)

## Standard options



## Special options



## Lighting data / Norms

Lamps	LED linear / CRI 80 / 4000 K
Lifetime	L90 B50 50.000 h L80 B50 100.000 h L80 B20 50.000 h
System power	26.1 W
Luminaire luminous flux	3710 lm
System efficiency	142.14 lm/W
Module efficiency	164.17 lm/W
UGR class	≤19
Supply voltage	220 - 240 V / 50 - 60 Hz
Protection class	I
Type of protection	IP20

## Dimensions / Weights

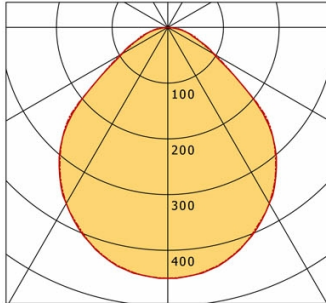
Length	1500 mm
Width	155 mm
Height	70 mm
Net weight	7.10 kg
Gross weight	7.60 kg

# MILA-A 104.1500.840/DALI

## MILA-A 104.1500.840/DALI

Mila | Ceiling (1xLED 26W 840/4000K 3710lm)

— C0/C180 cd / 1000 lm    - - - C90/C270



	C0	C90	C180	C270
0°	450	450	450	450
15°	429	428	429	428
30°	365	365	365	365
45°	262	264	262	264
60°	94	98	94	98
75°	36	37	36	37
90°	0	0	0	0
cd / 1000 lm				

Offset [m]	Cone width [m]		Illuminance [lx]
3.0	6.73	6.83	185.6
6.0	13.47	13.66	46.4
9.0	20.20	20.49	20.6
12.0	26.93	27.32	11.6
15.0	33.67	34.15	7.4

<b>η</b>	LED
Efficiency	143 lm/W
Direct/Indirect	↓ 100% / ↑ 0%
System Power	26 W
<b>UGR</b>	X=4H, Y=8H
Reflection factors	70/50/20
UGR C0/C180	19.0
UGR C90/C270	19.4
CIE Flux Codes	58 88 97 100 100
Ra/CRI	>80

LTS