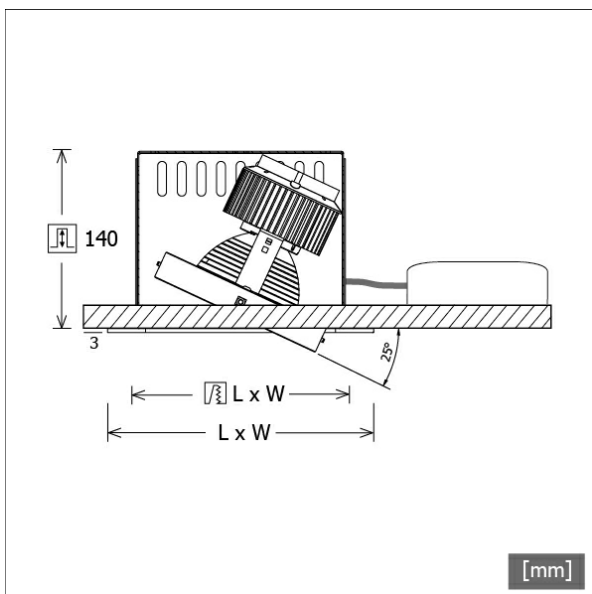


SCEKLP 20.3040.45



Colours	Article no.	EAN
black	638388	4043544420794
silver	638389	4043544420800
white	638390	4043544420817



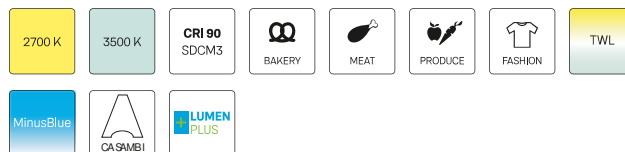
Description

- flexible recessed spotlight system consisting of recessed housings, light-heads and ballasts (recessed housings to be ordered separately)
- light-head pivots through 25° with gimbals
- outstanding ease of maintenance
- no UV and thermal emissions
- light-head gimbals made from die-cast zinc
- thermal management with passive cooling (heat sink made from aluminium)
- specular aluminium reflector with precise symmetrical beam characteristic for high luminous efficiency and glare-free lighting
- clear safety glass
- assembly into the recessed housing takes place in the factory
- connection to ballast via luminaire cable with Mini-Clamp connector
- ballast (LED converter) included (external placement)

Standard options



Special options



Lighting data / Norms

Lamps	LED Spot / CRI 80 / 4000 K
EPREL light sources	851282
Lifetime	L90 B50 50.000 h
	L80 B50 100.000 h
	L80 B20 50.000 h
System power	32.8 W
Luminaire luminous flux	3710 lm
System efficiency	113.10 lm/W
Module efficiency	162.17 lm/W
UGR class	≤22
Beam range	Wide Flood
Beam angle	48°
Supply voltage	220 - 240 V / 50 - 60 Hz
Protection class	III
Type of protection	IP20

Dimensions / Weights

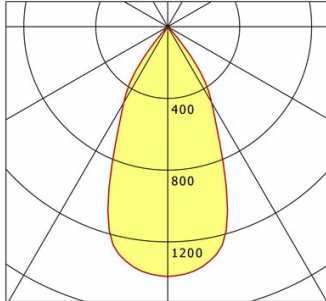
Height	143 mm
Recessed depth	122 mm
Diameter of light head	140 mm
Net weight	0.96 kg
Gross weight	1.02 kg

SCEKLP 20.3040.45

SCEKLP 20.3040.45

Scene 2 System | Light-Head (1xLED 33W 840/4000K 3710lm)

— C0/C180 cd / 1000 lm



	C0	C90	C180	C270
0°	1394	1394	1394	1394
15°	1222	1222	1222	1222
30°	489	489	489	489
45°	18	18	18	18
60°	2	2	2	2
75°	1	1	1	1
90°	0	0	0	0
cd / 1000 lm				

Offset [m]	Cone width [m]	Illuminance [lx]
3.0	2.72	574.4
6.0	5.44	143.6
9.0	8.16	63.8
12.0	10.88	35.9
15.0	13.60	23.0

η	LED
Efficiency	113 lm/W
Direct/Indirect	↓ 100% / ↑ 0%
System Power	33 W
UGR	X=4H, Y=8H
Reflection factors	70/50/20
UGR C0/C180	21.2
UGR C90/C270	21.2
CIE Flux Codes	98 100 100 100 100
Ra/CRI	>80

LTS

Accessories



SCER 2.1140
recessed housing 1-lamp



SCER 2.2140
recessed housing 2-lamp



SCER 2.3140
recessed housing 3-lamp



SCER 2.4140
recessed housing 4-lamp