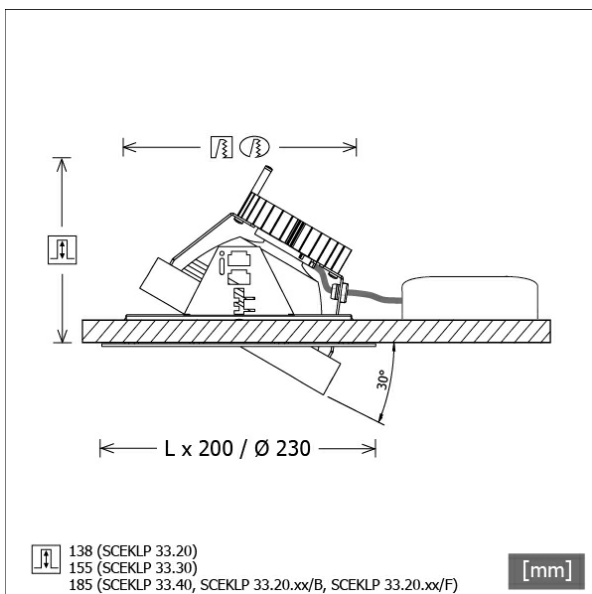


SCEKLP 33.3040.15



Colours	Article no.	EAN
white	619343	4043544405951
silver	619384	4043544405944
black	619385	4043544405937



Description

- flexible recessed spotlight system consisting of recessed frames, light-heads and ballasts (recessed frames to be ordered separately)
- light-head pivots through 30° on gimbals
- outstanding ease of maintenance
- no UV and thermal emissions
- thermal management with passive cooling (heat sink made from aluminium)
- gimbals made from die-cast zinc
- specular aluminium reflector with precise symmetrical beam characteristic for high luminous efficiency and glare-free lighting
- clear safety glass
- tool-free installation into mounting frame via flexible retaining springs
- connection to ballast via luminaire cable with Mini-Clamp connector
- ballast (LED converter) included (external placement)

Standard options



Special options

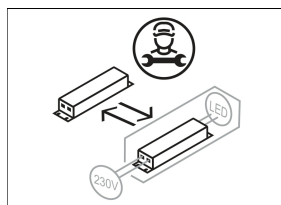


Lighting data / Norms

Lamps	LED Spot / CRI 80 / 4000 K
EPREL light sources	851282
Lifetime	L90 B50 50.000 h
	L80 B50 100.000 h
	L80 B20 50.000 h
System power	32.8 W
Luminaire luminous flux	3490 lm
System efficiency	106.40 lm/W
Module efficiency	162.17 lm/W
UGR class	≤19
Beam range	Spot
Beam angle	16°
Supply voltage	220 - 240 V / 50 - 60 Hz
Protection class	III
Type of protection	IP20

Dimensions / Weights

Height	157 mm
Recessed depth	155 mm
Diameter of light head	155 mm
Net weight	1.16 kg
Gross weight	1.25 kg

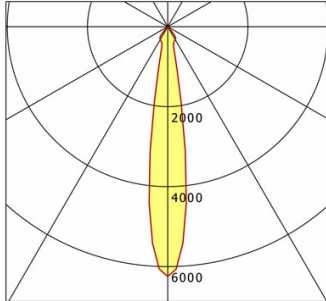


SCEKLP 33.3040.15

SCEKLP 33.3040.15

Scene 33 System | Light-Head (1xLED 33W 840/4000K 3490lm 15°)

— C0/C180 cd / 1000 lm



	C0	C90	C180	C270
0°	6248	6248	6248	6248
15°	627	627	627	627
30°	369	369	369	369
45°	23	23	23	23
60°	1	1	1	1
75°	1	1	1	1
90°	0	0	0	0
cd / 1000 lm				

Offset [m]	Cone width [m]	Illuminance [lx]
3.0	0.85	2422.9
6.0	1.70	605.7
9.0	2.55	269.2
12.0	3.39	151.4
15.0	4.24	96.9

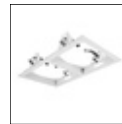
η	LED
Efficiency	106 lm/W
Direct/Indirect	↓ 100% / ↑ 0%
System Power	33 W
UGR	X=4H, Y=8H
Reflection factors	70/50/20
UGR C0/C180	18.4
UGR C90/C270	18.4
CIE Flux Codes	97 100 100 100 100
Ra/CRI	>80

LTS

Accessories



SCER 33.100
mounting frame 1-lamp



SCER 33.200
mounting frame 2-lamp



SCER 33.300
mounting frame 3-lamp



SCER 33.400
mounting frame 4-lamp