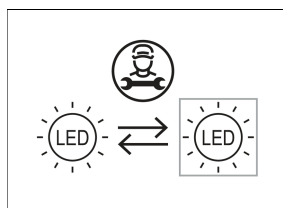
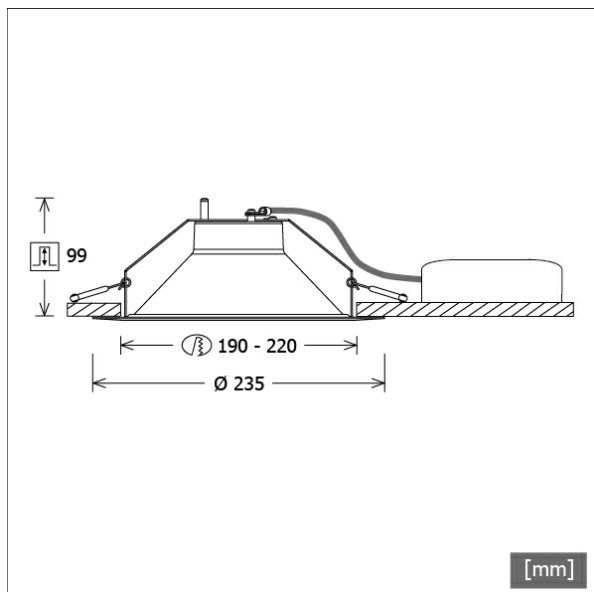


# LFLEXM 232.830



Colours	Article no.	EAN
white	669512	4043544811844



## Description

- environmentally friendly and cost-efficient round refurbishment downlight for diverse lighting tasks
- luminaire with halogen-free wiring
- outstanding ease of maintenance
- no UV and thermal emissions
- innovative thermal management via reflector (no heat sink required)
- high-tech reflector lens made from PMMA for high luminous efficiency and glare-free lighting
- white powder-coated high performance aluminium reflector with precise symmetrical beam characteristic
- recessed ring made from white powder-coated sheet steel
- tool-free ceiling mounting via automatic quick clamping (automatic adjustment of the ceiling thickness)
- luminaire and ballast permanently connected via cable (length: 500 mm), ballast ready for mains connection
- ballast (LED converter) included (external placement)

## Standard options



## Special options



## Lighting data / Norms

Lamps	LED Spot / CRI 80 / 3000 K
EPREL light sources	848117
	L90 B50 50.000 h
	L80 B50 100.000 h
	L80 B20 50.000 h
Lifetime	
	19.3 W
System power	
Luminaire luminous flux	2450 lm
System efficiency	126.94 lm/W
Module efficiency	156.64 lm/W
UGR class	≤19
Beam angle	67°
Supply voltage	220 - 240 V / 50 - 60 Hz
Protection class	II
Type of protection	IP20

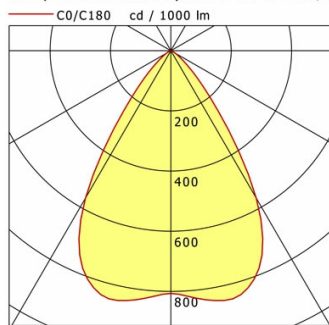
## Dimensions / Weights

Outer diameter	235 mm
Height	102 mm
Cut-out (Ø)	190 - 220 mm
Ceiling thickness	10.0 - 26.0 mm
Recessed depth	99 mm
Net weight	0.48 kg
Gross weight	0.60 kg

# LFLEXM 232.830

## LFLEXM 232.830

Lewy Flex Medium (1xLED 19W 830/3000K 2450lm 67°)



	C0	C90	C180	C270
0°	807	807	807	807
15°	848	848	848	848
30°	566	566	566	566
45°	112	112	112	112
60°	17	17	17	17
75°	2	2	2	2
90°	0	0	0	0
cd / 1000 lm				

Offset [m]	Cone width [m]	Illuminance [lx]
3.0	3.96	219.6
6.0	7.93	54.9
9.0	11.89	24.4
12.0	15.86	13.7
15.0	19.82	8.8

<b>η</b>	LED
Efficiency	129 lm/W
Direct/Indirect	↓ 100% / ↑ 0%
System Power	19 W
<b>UGR</b>	X=4H, Y=8H
Reflection factors	70/50/20
UGR C0/C180	17.9
UGR C90/C270	17.9
CIE Flux Codes	89 99 100 100 100
Ra/CRI	>80

LTS