

# CSALP 60.1027.15



## Description

- recessed spotlight with wide range of applications
- luminaire rotates through 350° and pivots through 40°
- outstanding ease of maintenance
- no UV and thermal emissions
- thermal management with passive cooling (heat sink made from aluminium)
- specular aluminium reflector with precise symmetrical beam characteristic for high luminous efficiency and glare-free lighting
- front rings and recessed ring made from die-cast zinc
- tool-free ceiling mounting via quick-action clamping springs (automatic adjustment of the ceiling thickness)
- luminaire and ballast permanently connected via cable (length: 500 mm), ballast ready for mains connection
- ballast (LED converter) included (external placement)

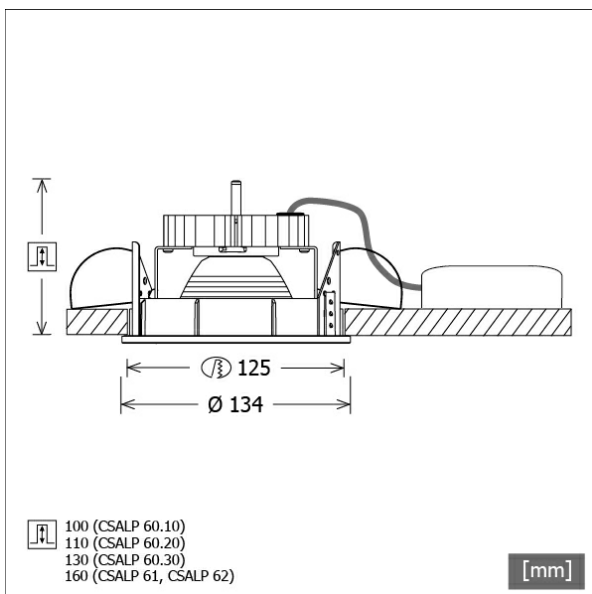
## Standard options



## Special options



| Colours | Article no. | EAN           |
|---------|-------------|---------------|
| silver  | 634703      | 4043544368706 |
| white   | 634704      | 4043544368713 |
| black   | 637518      | 4043544410979 |

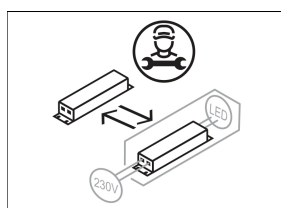


## Lighting data / Norms

|                         |                            |
|-------------------------|----------------------------|
| Lamps                   | LED Spot / CRI 80 / 2700 K |
| EPREL light sources     | 848120                     |
| Lifetime                | L90 B50 50.000 h           |
|                         | L80 B50 100.000 h          |
|                         | L80 B20 50.000 h           |
| System power            | 14.0 W                     |
| Luminaire luminous flux | 1370 lm                    |
| System efficiency       | 97.85 lm/W                 |
| Module efficiency       | 127.18 lm/W                |
| UGR class               | ≤19                        |
| Beam angle              | 15°                        |
| Supply voltage          | 220 - 240 V / 50 - 60 Hz   |
| Protection class        | II                         |
| Type of protection      | IP20                       |

## Dimensions / Weights

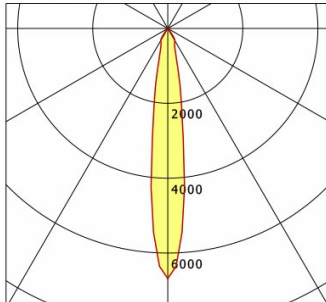
|                   |               |
|-------------------|---------------|
| Outer diameter    | 134 mm        |
| Height            | 90 mm         |
| Cut-out (Ø)       | 125 mm        |
| Ceiling thickness | 1.0 - 25.0 mm |
| Recessed depth    | 100 mm        |
| Net weight        | 0.94 kg       |
| Gross weight      | 0.99 kg       |



# CSALP 60.1027.15

CSA 60 (1xLED 14W 827/2700K 1370lm 15 °)

C0/C180 cd / 1000 lm



|              | C0   | C90  | C180 | C270 |
|--------------|------|------|------|------|
| 0°           | 6680 | 6680 | 6680 | 6680 |
| 15°          | 959  | 959  | 959  | 959  |
| 30°          | 381  | 381  | 381  | 381  |
| 45°          | 4    | 4    | 4    | 4    |
| 60°          | 3    | 3    | 3    | 3    |
| 75°          | 2    | 2    | 2    | 2    |
| 90°          | 0    | 0    | 0    | 0    |
| cd / 1000 lm |      |      |      |      |

Offset [m] Cone width [m] Illuminance [lx]

| Offset [m] | Cone width [m] | Illuminance [lx] |
|------------|----------------|------------------|
| 3.0        | 0.77           | 1016.8           |
| 6.0        | 1.54           | 254.2            |
| 9.0        | 2.31           | 113.0            |
| 12.0       | 3.08           | 63.6             |
| 15.0       | 3.85           | 40.7             |

|                    |                   |
|--------------------|-------------------|
| <b>η</b>           | LED               |
| Efficiency         | 98 lm/W           |
| Direct/Indirect    | ↓ 100% / ↑ 0%     |
| System Power       | 14 W              |
| <b>UGR</b>         | X=4H, Y=8H        |
| Reflection factors | 70/50/20          |
| UGR C0/C180        | 16.5              |
| UGR C90/C270       | 16.5              |
| CIE Flux Codes     | 99 99 100 100 100 |
| Ra/CRI             | >80               |

LTS

## Accessories



**ZDAR 125.145-205**  
compensation ring for ceiling cut-outs from 145 to 205 mm