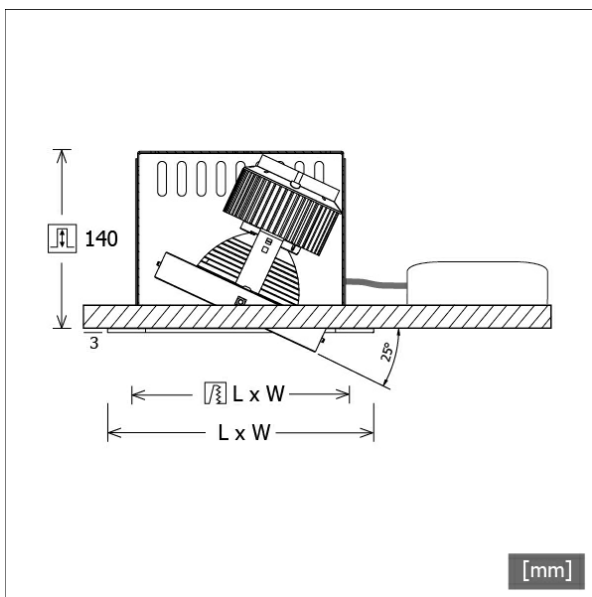


SCEKLP 20.2040.25



Colours	Article no.	EAN
black	638358	4043544420497
silver	638359	4043544420503
white	638360	4043544420510



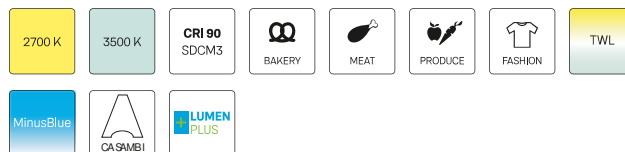
Description

- flexible recessed spotlight system consisting of recessed housings, light-heads and ballasts (recessed housings to be ordered separately)
- light-head pivots through 25° with gimbals
- outstanding ease of maintenance
- no UV and thermal emissions
- light-head gimbals made from die-cast zinc
- thermal management with passive cooling (heat sink made from aluminium)
- specular aluminium reflector with precise symmetrical beam characteristic for high luminous efficiency and glare-free lighting
- clear safety glass
- assembly into the recessed housing takes place in the factory
- connection to ballast via luminaire cable with Mini-Clamp connector
- ballast (LED converter) included (external placement)

Standard options



Special options



Lighting data / Norms

Lamps	LED Spot / CRI 80 / 4000 K
EPREL light sources	848119
Lifetime	L90 B50 50.000 h
	L80 B50 100.000 h
	L80 B20 50.000 h
System power	25.8 W
Luminaire luminous flux	2840 lm
System efficiency	110.07 lm/W
Module efficiency	160.37 lm/W
UGR class	≤19
Beam range	Medium Flood
Beam angle	27°
Supply voltage	220 - 240 V / 50 - 60 Hz
Protection class	III
Type of protection	IP20

Dimensions / Weights

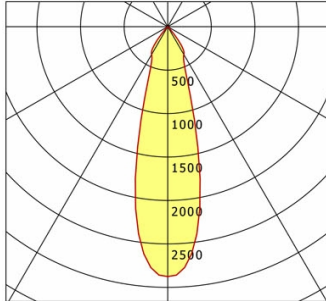
Height	143 mm
Recessed depth	105 mm
Diameter of light head	140 mm
Net weight	0.95 kg
Gross weight	1.01 kg

SCEKLP 20.2040.25

SCEKLP 20.2040.25

Scene 2 System | Light-Head (1xLED 26W 840/4000K 2840lm)

C0/C180 cd / 1000 lm



	C0	C90	C180	C270
0°	2876	2876	2876	2876
15°	1262	1262	1262	1262
30°	370	370	370	370
45°	23	23	23	23
60°	3	3	3	3
75°	0	0	0	0
90°	0	0	0	0
cd / 1000 lm				

Offset [m] Cone width [m] Illuminance [lx]

Offset [m]	Cone width [m]	Illuminance [lx]
3.0	1.50	907.4
6.0	2.99	226.9
9.0	4.49	100.8
12.0	5.98	56.7
15.0	7.48	36.3

η	LED
Efficiency	109 lm/W
Direct/Indirect	↓ 100% / ↑ 0%
System Power	26 W
UGR	X=4H, Y=8H
Reflection factors	70/50/20
UGR C0/C180	19.3
UGR C90/C270	19.3
CIE Flux Codes	98 100 100 100 100
Ra/CRI	>80

LTS

Accessories



SCER 2.1140
recessed housing 1-lamp



SCER 2.2140
recessed housing 2-lamp



SCER 2.3140
recessed housing 3-lamp



SCER 2.4140
recessed housing 4-lamp