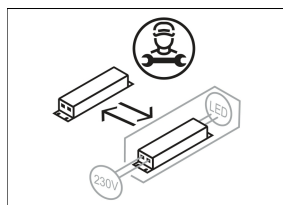
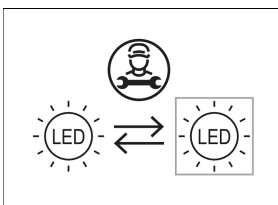
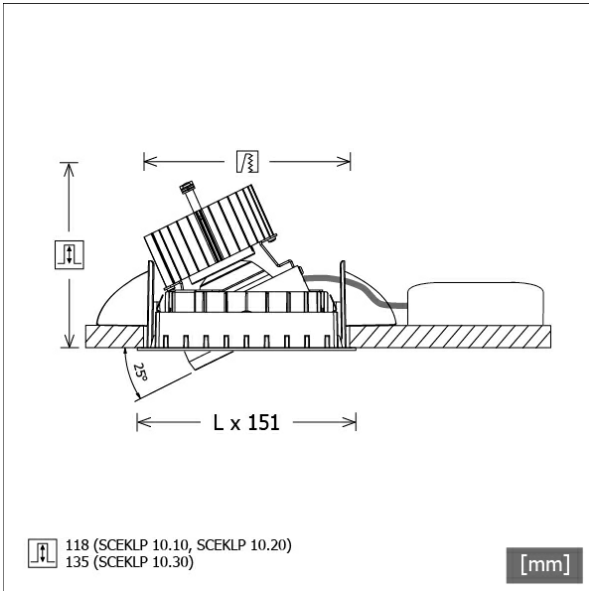


# SCEKLP 10.1041.15



Colours	Article no.	EAN
black	619355	4043544300324
silver	619356	4043544300331
white	619357	4043544300348



## Description

- flexible recessed spotlight system consisting of recessed frames, light-heads and ballasts (recessed frames to be ordered separately)
- adjustable ceiling look: flush with ceiling or recessed by 6 mm
- light-head rotates through 350° and pivots through 25°
- outstanding ease of maintenance
- no UV and thermal emissions
- light-head consisting of front frame (die-cast magnesium) and front ring (die-cast zinc)
- thermal management with passive cooling (heat sink made from aluminium)
- specular aluminium reflector with precise symmetrical beam characteristic for high luminous efficiency and glare-free lighting
- light-head snaps into mounting frame without tools
- connection to ballast via luminaire cable with Mini-Clamp connector
- ballast (LED converter) included (external placement)

## Standard options



## Special options



## Lighting data / Norms

Lamps	LED Spot / CRI 80 / 4000 K
EPREL light sources	848119
Lifetime	L90 B50 50.000 h
	L80 B50 100.000 h
	L80 B20 50.000 h
System power	13.4 W
Luminaire luminous flux	1510 lm
System efficiency	112.68 lm/W
Module efficiency	160.37 lm/W
UGR class	≤19
Beam range	Spot
Beam angle	15°
Supply voltage	220 - 240 V / 50 - 60 Hz
Protection class	III
Type of protection	IP20

## Dimensions / Weights

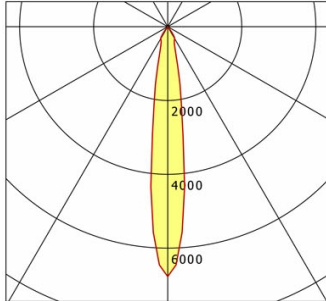
Length	125 mm
Width	125 mm
Height	121 mm
Recessed depth	118 mm
Diameter of light head	100 mm
Net weight	0.65 kg
Gross weight	0.71 kg

# SCEKLP 10.1041.15

## SCEKLP 10.1041.15

Scene 1 System | Light-Head (1xLED 13W 840/4000K 1510lm)

— C0/C180 cd / 1000 lm



	C0	C90	C180	C270
0°	6769	6769	6769	6769
15°	965	965	965	965
30°	378	378	378	378
45°	3	3	3	3
60°	3	3	3	3
75°	1	1	1	1
90°	0	0	0	0
cd / 1000 lm				

Offset [m] Cone width [m] Illuminance [lx]

Offset [m]	Cone width [m]	Illuminance [lx]
3.0	0.77	1135.8
6.0	1.54	283.9
9.0	2.31	126.2
12.0	3.08	71.0
15.0	3.84	45.4

<b>η</b>	LED
Efficiency	117 lm/W
Direct/Indirect	↓ 100% / ↑ 0%
System Power	13 W
<b>UGR</b>	X=4H, Y=8H
Reflection factors	70/50/20
UGR C0/C180	16.7
UGR C90/C270	16.7
CIE Flux Codes	99 100 100 100 100
Ra/CRI	>80

LTS

## Accessories



**SCER 1.100**  
mounting frame 1-lamp



**SCER 1.200**  
mounting frame 2-lamp



**SCER 1.300**  
mounting frame 3-lamp