

Pendant 48 V

NEO-ORYO-P 101.930.45/DALI



Description

- filigree pendant luminaire with slightly conical light-head for 48 V track system
- outstanding ease of maintenance
- no UV and thermal emissions
- anti-glare shield and decorative anti-glare ring available as accessories
- light-head made from die-cast aluminium
- innovative thermal management with design-integrated passive cooling
- high performance specular aluminium reflector with precise symmetrical beam characteristic for high luminous efficiency and glare-free lighting
- black internal thermoplastic front ring
- black connecting cable (length: 1000 mm, other cable lengths on request)
- clear acrylic safety glass
- 48 V track adapter with integrated DALI ballast

Standard options



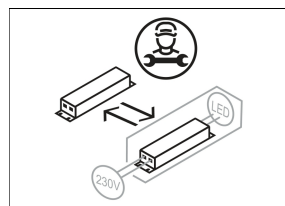
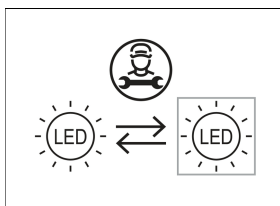
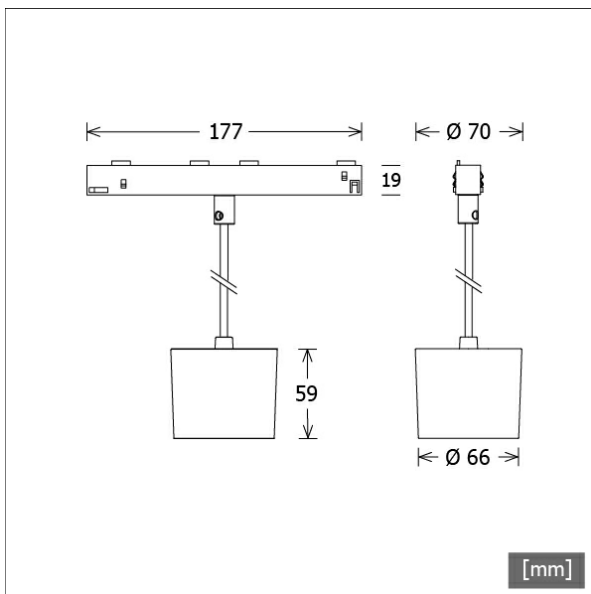
Colours	Article no.	EAN
black	652393	4043544611109
white	652394	4043544611116

Lighting data / Norms

Lamps	LED Spot / CRI 90 / 3000 K
EPREL light sources	851296
Lifetime	L90 B50 50.000 h L80 B50 100.000 h L80 B20 50.000 h
System power	20.5 W
Luminaire luminous flux	1750 lm
System efficiency	85.36 lm/W
Module efficiency	134.21 lm/W
UGR class	≤22
Beam range	Wide Flood
Beam angle	46°
Protection class	II
Type of protection	IP20

Dimensions / Weights

Outer diameter	66 mm
Height	59 mm
Diameter of light head	66 mm
Net weight	0.52 kg
Gross weight	0.62 kg

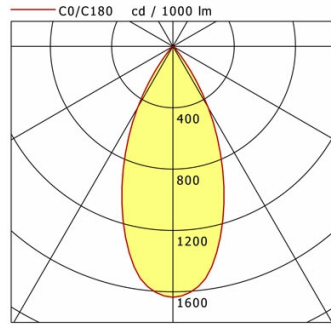


Pendant 48 V

NEO-ORYO-P 101.930.45/DALI

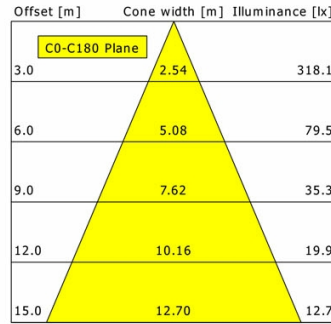
NEO-ORYO-P 101.930.45/DALI

NeoORYO 100 | Pendant | 48 V (1xLED 21W 930/3000K 1750lm)



	C0	C90	C180	C270
0°	1636	1636	1636	1636
15°	1232	1232	1232	1232
30°	461	461	461	461
45°	24	24	24	24
60°	8	8	8	8
75°	2	2	2	2
90°	0	0	0	0

cd / 1000 lm



η	LED
Efficiency	83 lm/W
Direct/Indirect	↓ 100% / ↑ 0%
System Power	21 W
UGR	X=4H, Y=8H
Reflection factors	70/50/20
UGR C0/C180	21.3
UGR C90/C270	21.3
CIE Flux Codes	96 99 100 100 100
Ra/CRI	>90

LTS

Accessories



NEO-A 10/9500-1/ST6-E
48 V surface-mounted track NeoLine with data bus
(length: 1000 mm)



NEO-A 20/9500-2/ST6-E
48 V surface-mounted track NeoLine with data bus
(length: 2000 mm)



NEO-A 30/9500-3/ST6-E
48 V surface-mounted track NeoLine with data bus
(length: 3000 mm)



NEO-Z CONV 1X150
power supply for 48 V systems 1x150 W



NEO-Z CONV 1X150/CAS
power supply for 48 V systems 1x150 W with
Casambi technology for wireless light control



NEO-Z CONV 2X150
power supply for 48 V systems 2x150 W



NEO-Z CONV 2X150/CAS
power supply for 48 V systems 2x150 W with
Casambi technology for wireless light control



ZB-AGS 001
anti-glare shield



ZB-DAR 001
decorative anti-glare ring



ZBW 88
honeycomb louvre