

# CSALP 50.1040.35



## Description

- recessed spotlight with conical light-head
- suitable for lighting of vertical surfaces
- luminaire rotates through 350° and light-head pivots out through 35°
- outstanding ease of maintenance
- no UV and thermal emissions
- thermal management with passive cooling (heat sink made from aluminium)
- specular aluminium reflector with precise symmetrical beam characteristic for high luminous efficiency and glare-free lighting
- front/recessed ring and light-head made from die-cast zinc
- clear safety glass
- tool-free ceiling mounting via quick-action clamping springs (automatic adjustment of the ceiling thickness)
- luminaire and ballast permanently connected via cable (length: 500 mm), ballast ready for mains connection
- ballast (LED converter) included (external placement)

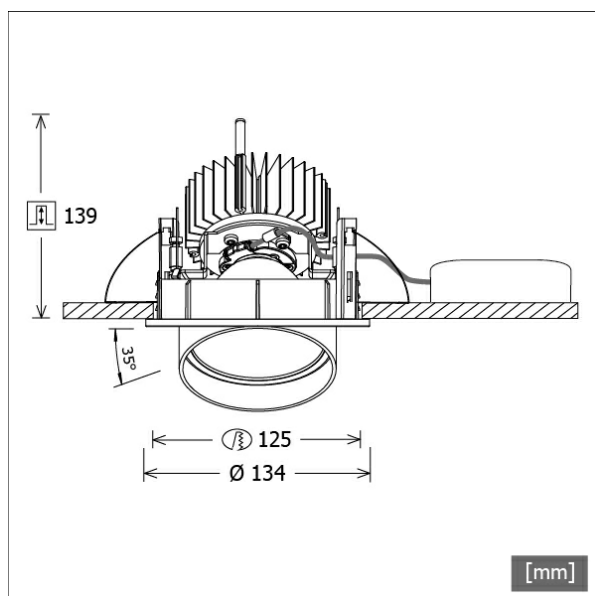
## Standard options



## Special options



Colours	Article no.	EAN
black	643441	4043544496478
silver	643442	4043544496485
white	643443	4043544496492



## Lighting data / Norms

Lamps	LED Spot / CRI 80 / 4000 K
EPREL light sources	848119
Lifetime	L90 B50 50.000 h
	L80 B50 100.000 h
	L80 B20 50.000 h
System power	14.0 W
Luminaire luminous flux	1460 lm
System efficiency	104.28 lm/W
Module efficiency	160.37 lm/W
UGR class	≤19
Beam angle	35°
Supply voltage	220 - 240 V / 50 - 60 Hz
Protection class	II
Type of protection	IP20

## Dimensions / Weights

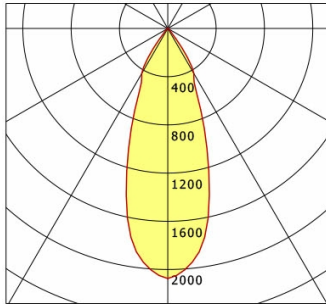
Outer diameter	134 mm
Height	144 mm
Cut-out (Ø)	125 mm
Ceiling thickness	1.0 - 25.0 mm
Recessed depth	139 mm
Net weight	1.17 kg
Gross weight	1.23 kg



# CSALP 50.1040.35

CSA 50 (1xLED 14W 840/4000K 1460lm 35 °)

C0/C180 cd / 1000 lm



	C0	C90	C180	C270
0°	2075	2075	2075	2075
15°	1327	1327	1327	1327
30°	432	432	432	432
45°	20	20	20	20
60°	8	8	8	8
75°	4	4	4	4
90°	0	0	0	0
cd / 1000 lm				

Offset [m] Cone width [m] Illuminance [lx]

Offset [m]	Cone width [m]	Illuminance [lx]
3.0	1.97	336.5
6.0	3.94	84.1
9.0	5.91	37.4
12.0	7.88	21.0
15.0	9.85	13.5

<b>η</b>	LED
Efficiency	104 lm/W
Direct/Indirect	↓ 100% / ↑ 0%
System Power	14 W
<b>UGR</b>	X=4H, Y=8H
Reflection factors	70/50/20
UGR C0/C180	18.6
UGR C90/C270	18.6
CIE Flux Codes	96 99 100 100 100
Ra/CRI	>80

LTS

## Accessories



**ZDAR 125.145-205**  
compensation ring for ceiling cut-outs from 145 to 205 mm