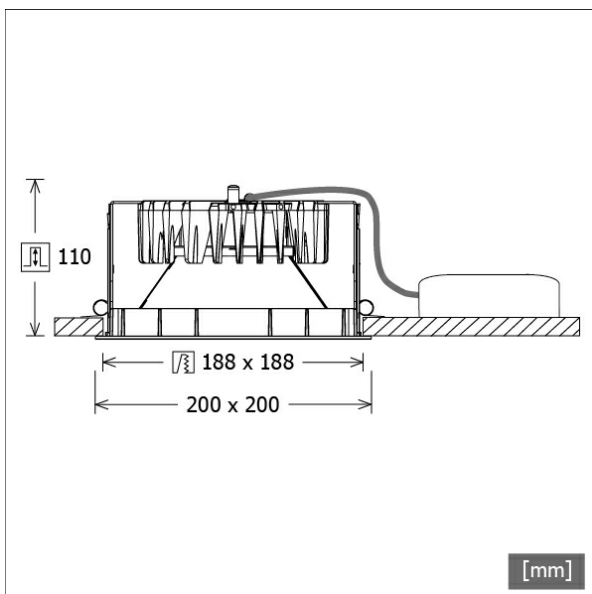


FLIQ 400.3040.01



| Colours | Article no. | EAN |
|---------|-------------|---------------|
| black | 636486 | 4043544390684 |
| silver | 636487 | 4043544390691 |
| white | 636488 | 4043544390707 |



Description

- recessed spotlight with optical design variants for general lighting
- outstanding ease of maintenance
- no UV and thermal emissions
- innovative thermal management with passive cooling (heat sink made from die-cast aluminium)
- non-reflective matt aluminium reflector for highest luminous efficiency and best glare-free lighting
- front/recessed frame made from die-cast zinc with clear light effect frame (other decor/light effect frames and deco glasses are available as options)
- tool-free ceiling mounting via automatic quick clamping (automatic adjustment of the ceiling thickness)
- luminaire and ballast permanently connected via cable (length: 500 mm), ballast ready for mains connection
- ballast (LED converter) included (external placement)

Standard options



Special options



Lighting data / Norms

| | |
|-------------------------|---|
| Lamps | LED Modul / CRI 80 / 4000 K |
| EPREL light sources | 891013 |
| Lifetime | L90 B50 50.000 h L80 B50 100.000 h L80 B20 50.000 h |
| System power | 26.0 W |
| Luminaire luminous flux | max. 3410 lm |
| System efficiency | 131.15 lm/W |
| Module efficiency | 175.56 lm/W |
| UGR class | ≤25 |
| Supply voltage | 220 - 240 V / 50 - 60 Hz |
| Protection class | II |
| Type of protection | IP20 |

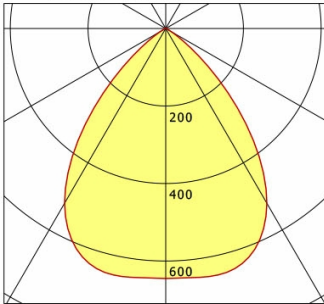
Dimensions / Weights

| | |
|-------------------|---------------|
| Length | 200 mm |
| Width | 200 mm |
| Height | 112 mm |
| Cut-out (LxW) | 188 x 188 mm |
| Ceiling thickness | 5.0 - 50.0 mm |
| Recessed depth | 110 mm |
| Net weight | 1.21 kg |
| Gross weight | 1.27 kg |

FLIQ 400.3040.01

Flixx 400 Square (FLIQZ 400.05, 1xLED 26W 840/4000K 3410lm)

C0/C180 cd / 1000 lm



| | C0 | C90 | C180 | C270 |
|--------------|-----|-----|------|------|
| 0° | 645 | 645 | 645 | 645 |
| 15° | 647 | 647 | 647 | 647 |
| 30° | 521 | 521 | 521 | 521 |
| 45° | 209 | 209 | 209 | 209 |
| 60° | 17 | 17 | 17 | 17 |
| 75° | 4 | 4 | 4 | 4 |
| 90° | 0 | 0 | 0 | 0 |
| cd / 1000 lm | | | | |

Offset [m] Cone width [m] Illuminance [lx]

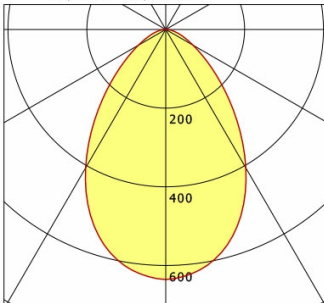
| Offset [m] | Cone width [m] | Illuminance [lx] |
|------------|----------------|------------------|
| 3.0 | 5.01 | 244.4 |
| 6.0 | 10.01 | 61.1 |
| 9.0 | 15.02 | 27.2 |
| 12.0 | 20.03 | 15.3 |
| 15.0 | 25.03 | 9.8 |

| | |
|--------------------|-------------------|
| η | LED |
| Efficiency | 131 lm/W |
| Direct/Indirect | ↓ 100% / ↑ 0% |
| System Power | 26 W |
| UGR | X=4H, Y=8H |
| Reflection factors | 70/50/20 |
| UGR C0/C180 | 21.1 |
| UGR C90/C270 | 21.1 |
| CIE Flux Codes | 81 99 100 100 100 |
| Ra/CRI | >80 |

LTS

Flixx 400 Square (FLIQZ 400.24, 1xLED 26W 840/4000K 3270lm)

C0/C180 cd / 1000 lm



| | C0 | C90 | C180 | C270 |
|--------------|-----|-----|------|------|
| 0° | 636 | 636 | 636 | 636 |
| 15° | 577 | 577 | 577 | 577 |
| 30° | 406 | 406 | 406 | 406 |
| 45° | 204 | 204 | 204 | 204 |
| 60° | 80 | 80 | 80 | 80 |
| 75° | 27 | 27 | 27 | 27 |
| 90° | 0 | 0 | 0 | 0 |
| cd / 1000 lm | | | | |

Offset [m] Cone width [m] Illuminance [lx]

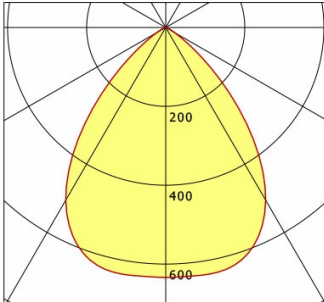
| Offset [m] | Cone width [m] | Illuminance [lx] |
|------------|----------------|------------------|
| 3.0 | 4.40 | 231.0 |
| 6.0 | 8.80 | 57.7 |
| 9.0 | 13.19 | 25.7 |
| 12.0 | 17.59 | 14.4 |
| 15.0 | 21.99 | 9.2 |

| | |
|--------------------|------------------|
| η | LED |
| Efficiency | 126 lm/W |
| Direct/Indirect | ↓ 100% / ↑ 0% |
| System Power | 26 W |
| UGR | X=4H, Y=8H |
| Reflection factors | 70/50/20 |
| UGR C0/C180 | 24.8 |
| UGR C90/C270 | 24.8 |
| CIE Flux Codes | 67 91 98 100 100 |
| Ra/CRI | >80 |

LTS

Flixx 400 Square (FLIQZ 400.25, 1xLED 26W 840/4000K 3340lm)

C0/C180 cd / 1000 lm



| | C0 | C90 | C180 | C270 |
|--------------|-----|-----|------|------|
| 0° | 634 | 634 | 634 | 634 |
| 15° | 630 | 630 | 630 | 630 |
| 30° | 506 | 506 | 506 | 506 |
| 45° | 213 | 213 | 213 | 213 |
| 60° | 26 | 26 | 26 | 26 |
| 75° | 5 | 5 | 5 | 5 |
| 90° | 0 | 0 | 0 | 0 |
| cd / 1000 lm | | | | |

Offset [m] Cone width [m] Illuminance [lx]

| Offset [m] | Cone width [m] | Illuminance [lx] |
|------------|----------------|------------------|
| 3.0 | 5.04 | 235.3 |
| 6.0 | 10.08 | 58.8 |
| 9.0 | 15.12 | 26.1 |
| 12.0 | 20.16 | 14.7 |
| 15.0 | 25.19 | 9.4 |

| | |
|--------------------|-------------------|
| η | LED |
| Efficiency | 128 lm/W |
| Direct/Indirect | ↓ 100% / ↑ 0% |
| System Power | 26 W |
| UGR | X=4H, Y=8H |
| Reflection factors | 70/50/20 |
| UGR C0/C180 | 21.3 |
| UGR C90/C270 | 21.3 |
| CIE Flux Codes | 79 98 100 100 100 |
| Ra/CRI | >80 |

LTS

FLIQ 400.3040.01

Accessories



FLIQZ 400.01
decorative frame black



FLIQZ 400.02
decorative frame silver



FLIQZ 400.03
decorative frame white



FLIQZ 400.04
light effect frame opal



FLIQZ 400.05
light effect frame clear



FLIQZ 400.06
light effect frame red matt



FLIQZ 400.07
light effect frame yellow matt



FLIQZ 400.08
light effect frame blue matt



FLIQZ 400.16
light effect frame red translucent



FLIQZ 400.17
light effect frame yellow translucent



FLIQZ 400.18
light effect frame blue translucent



FLIQZ 400.24
decorative glass opal



FLIQZ 400.25
decorative glass clear



NOL 50B/3H/DALI
LED emergency light-unit



ZVP 100
universal reinforcement frame
(module 625 x 625)