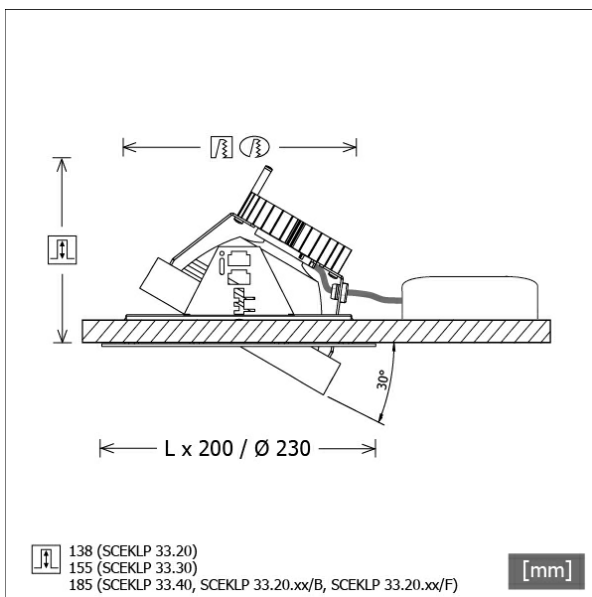


SCEKLP 33.5030.35



Colours	Article no.	EAN
black	655179	4043544639479
silver	655180	4043544639486
white	655181	4043544639493



Description

- flexible recessed spotlight system consisting of recessed frames, light-heads and ballasts (recessed frames to be ordered separately)
- light-head pivots through 30° on gimbals
- outstanding ease of maintenance
- no UV and thermal emissions
- thermal management with passive cooling (heat sink made from aluminium)
- gimbals made from die-cast zinc
- specular aluminium reflector with precise symmetrical beam characteristic for high luminous efficiency and glare-free lighting
- clear safety glass
- tool-free installation into mounting frame via flexible retaining springs
- connection to ballast via luminaire cable with Mini-Clamp connector
- ballast (LED converter) included (external placement)

Standard options



Special options



Lighting data / Norms

Lamps	LED Spot / CRI 80 / 3000 K
EPREL light sources	848104
Lifetime	L90 B50 50.000 h
	L80 B50 100.000 h
	L80 B20 50.000 h
System power	52.0 W
Luminaire luminous flux	5350 lm
System efficiency	102.88 lm/W
Module efficiency	163.73 lm/W
UGR class	≤22
Beam range	Flood
Beam angle	30°
Supply voltage	220 - 240 V / 50 - 60 Hz
Protection class	II
Type of protection	IP20

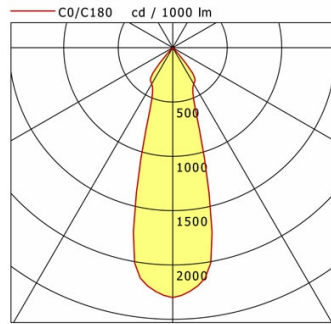
Dimensions / Weights

Height	165 mm
Recessed depth	185 mm
Diameter of light head	155 mm
Net weight	1.38 kg
Gross weight	1.43 kg

SCEKLP 33.5030.35

SCEKLP 33.5030.35

Scene 33 System | Light-Head (1xLED 52W 830/3000K 5350lm 35°)



	C0	C90	C180	C270
0°	2300	2300	2300	2300
15°	1210	1210	1210	1210
30°	386	386	386	386
45°	18	18	18	18
60°	4	4	4	4
75°	1	1	1	1
90°	0	0	0	0
cd / 1000 lm				

Offset [m]	Cone width [m]	Illuminance [lx]
3.0	1.65	1367.2
6.0	3.31	341.8
9.0	4.96	151.9
12.0	6.62	85.4
15.0	8.27	54.7

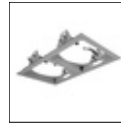
η	LED
Efficiency	103 lm/W
Direct/Indirect	↓ 100% / ↑ 0%
System Power	52 W
UGR	X=4H, Y=8H
Reflection factors	70/50/20
UGR C0/C180	20.5
UGR C90/C270	20.5
CIE Flux Codes	97 100 100 100 100
Ra/CRI	>80

LTS

Accessories



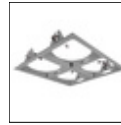
SCER 33.100
mounting frame 1-lamp



SCER 33.200
mounting frame 2-lamp



SCER 33.300
mounting frame 3-lamp



SCER 33.400
mounting frame 4-lamp