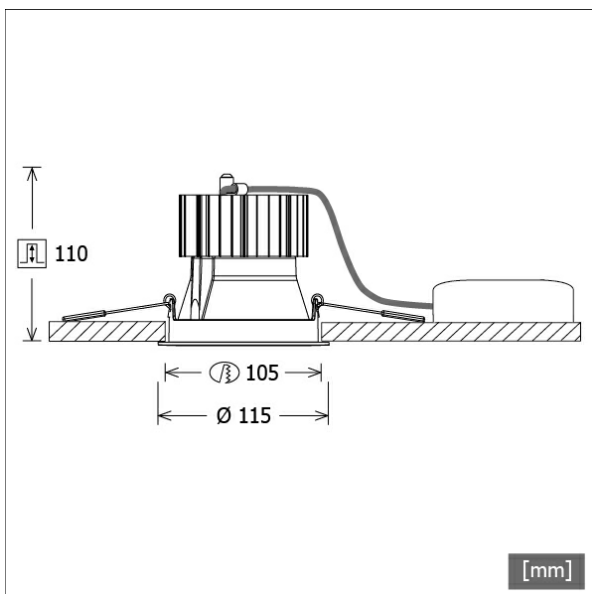


FLIR 200.2040.25



Colours	Article no.	EAN
black	636601	4043544391834
silver	636602	4043544391841
white	636603	4043544391858



Description

- recessed spotlight with optical design variants and wide range of applications
- light-head pivots through 20°
- outstanding ease of maintenance
- no UV and thermal emissions
- thermal management with passive cooling (heat sink made from aluminium)
- high performance specular aluminium reflector with precise symmetrical beam characteristic for highest luminous efficiency and best glare-free lighting
- front/recessed ring made from die-cast zinc with clear light effect ring (other decor/light effect rings and deco glasses are available as options)
- tool-free ceiling mounting via quick-action clamping springs (automatic adjustment of the ceiling thickness)
- luminaire and ballast permanently connected via cable (length: 500 mm), ballast ready for mains connection
- ballast (LED converter) included (external placement)

Standard options



Special options



Lighting data / Norms

Lamps	LED Spot / CRI 80 / 4000 K
EPREL light sources	848119
Lifetime	L90 B50 50.000 h
	L80 B50 100.000 h
	L80 B20 50.000 h
System power	27.0 W
Luminaire luminous flux	max. 3110 lm
System efficiency	115.18 lm/W
Module efficiency	160.37 lm/W
UGR class	≤28
Beam range	Medium Flood
Beam angle	29°
Supply voltage	220 - 240 V / 50 - 60 Hz
Protection class	II
Type of protection	IP20

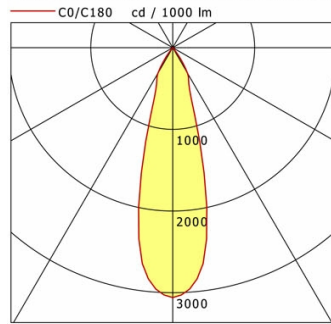
Dimensions / Weights

Outer diameter	115 mm
Height	112 mm
Cut-out (Ø)	105 mm
Ceiling thickness	1.0 - 25.0 mm
Recessed depth	110 mm
Net weight	0.87 kg
Gross weight	0.95 kg

FLIR 200.2040.25

FLIR 200.2040.25

Flixx 200 Round (FLIRZ 200.05, 1xLED 27W 840/4000K 3110lm 29°)



	C0	C90	C180	C270
0°	3059	3059	3059	3059
15°	1386	1386	1386	1386
30°	362	362	362	362
45°	16	16	16	16
60°	11	11	11	11
75°	5	5	5	5
90°	0	0	0	0
cd / 1000 lm				

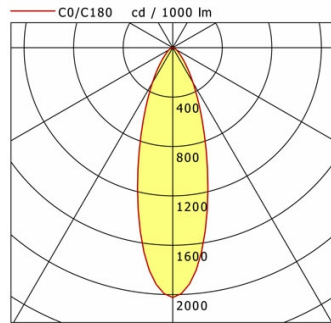
Offset [m]	Cone width [m]	Illuminance [lx]
3.0	1.53	1057.1
6.0	3.06	264.3
9.0	4.59	117.5
12.0	6.12	66.1
15.0	7.65	42.3

η	LED
Efficiency	115 lm/W
Direct/Indirect	↓ 100% / ↑ 0%
System Power	27 W
UGR	X=4H, Y=8H
Reflection factors	70/50/20
UGR C0/C180	19.8
UGR C90/C270	19.8
CIE Flux Codes	96 98 100 100 100
Ra/CRI	>80

LTS

FLIR 200.2040.25

Flixx 200 Round (FLIRZ 200.24, 1xLED 27W 840/4000K 2930lm 29°)



	C0	C90	C180	C270
0°	2024	2024	2024	2024
15°	1095	1095	1095	1095
30°	329	329	329	329
45°	93	93	93	93
60°	35	35	35	35
75°	15	15	15	15
90°	0	0	0	0
cd / 1000 lm				

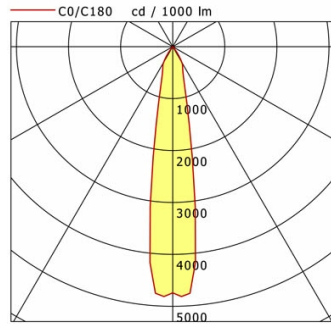
Offset [m]	Cone width [m]	Illuminance [lx]
3.0	1.73	658.8
6.0	3.47	164.7
9.0	5.20	73.2
12.0	6.94	41.2
15.0	8.67	26.4

η	LED
Efficiency	109 lm/W
Direct/Indirect	↓ 100% / ↑ 0%
System Power	27 W
UGR	X=4H, Y=8H
Reflection factors	70/50/20
UGR C0/C180	25.9
UGR C90/C270	25.9
CIE Flux Codes	85 95 99 100 100
Ra/CRI	>80

LTS

FLIR 200.2040.25

Flixx 200 Round (FLIRZ 200.25, 1xLED 27W 840/4000K 3030lm 29°)



	C0	C90	C180	C270
0°	4741	4741	4741	4741
15°	983	983	983	983
30°	354	354	354	354
45°	18	18	18	18
60°	20	20	20	20
75°	5	5	5	5
90°	0	0	0	0
cd / 1000 lm				

Offset [m]	Cone width [m]	Illuminance [lx]
3.0	1.00	1596.2
6.0	2.01	399.1
9.0	3.01	177.4
12.0	4.02	99.8
15.0	5.02	63.8

η	LED
Efficiency	113 lm/W
Direct/Indirect	↓ 100% / ↑ 0%
System Power	27 W
UGR	X=4H, Y=8H
Reflection factors	70/50/20
UGR C0/C180	20.1
UGR C90/C270	20.1
CIE Flux Codes	96 98 100 100 100
Ra/CRI	>80

LTS

FLIR 200.2040.25

Accessories



FLIRZ 200.01
decorative ring black



FLIRZ 200.02
decorative ring silver



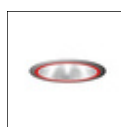
FLIRZ 200.03
decorative ring white



FLIRZ 200.04
light effect ring opal



FLIRZ 200.05
light effect ring clear



FLIRZ 200.06
light effect ring red matt



FLIRZ 200.07
light effect ring yellow matt



FLIRZ 200.08
light effect ring blue matt



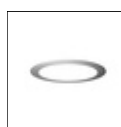
FLIRZ 200.16
light effect ring red translucent



FLIRZ 200.17
light effect ring yellow translucent



FLIRZ 200.18
light effect ring blue translucent



FLIRZ 200.24
decorative glass opal



FLIRZ 200.25
decorative glass clear