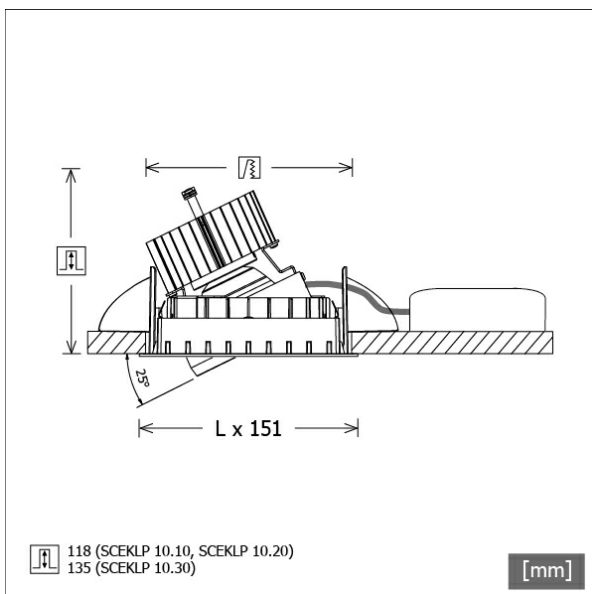


SCEKLP 10.3040.50/DALI



Colours	Article no.	EAN
black	644101	4043544503282
silver	644102	4043544503299
white	644103	4043544503305



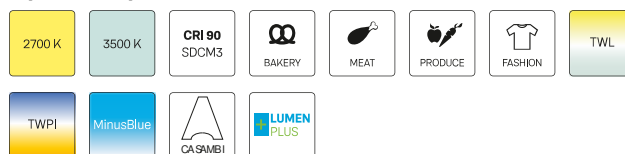
Description

- flexible recessed spotlight system consisting of recessed frames, light-heads and ballasts (recessed frames to be ordered separately)
- adjustable ceiling look: flush with ceiling or recessed by 6 mm
- light-head rotates through 350° and pivots through 25°
- outstanding ease of maintenance
- no UV and thermal emissions
- light-head consisting of front frame (die-cast magnesium) and front ring (die-cast zinc)
- thermal management with passive cooling (heat sink made from aluminium)
- specular aluminium reflector with precise symmetrical beam characteristic for high luminous efficiency and glare-free lighting
- light-head snaps into mounting frame without tools
- connection to ballast via luminaire cable with Mini-Clamp connector
- ballast (LED converter DALI, dimmable) included (external placement)

Standard options



Special options



Lighting data / Norms

Lamps	LED Spot / CRI 80 / 4000 K
EPREL light sources	851282
Lifetime	L90 B50 50.000 h
	L80 B50 100.000 h
	L80 B20 50.000 h
System power	32.8 W
Luminaire luminous flux	3720 lm
System efficiency	113.41 lm/W
Module efficiency	162.17 lm/W
UGR class	≤22
Beam range	Wide Flood
Beam angle	46°
Supply voltage	220 - 240 V / 50 - 60 Hz
Protection class	III
Type of protection	IP20

Dimensions / Weights

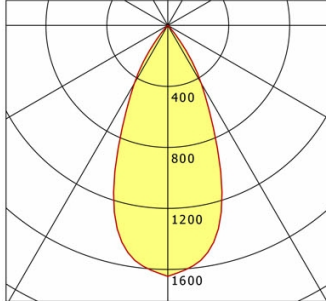
Length	125 mm
Width	125 mm
Height	138 mm
Recessed depth	135 mm
Diameter of light head	100 mm
Net weight	1.04 kg
Gross weight	1.09 kg

SCEKLP 10.3040.50/DALI

SCEKLP 10.3040.50/DALI

Scene 1 System | Light-Head (1xLED 33W 840/4000K 3720lm)

C0/C180 cd / 1000 lm



	C0	C90	C180	C270
0°	1645	1645	1645	1645
15°	1327	1327	1327	1327
30°	439	439	439	439
45°	9	9	9	9
60°	3	3	3	3
75°	3	3	3	3
90°	0	0	0	0

cd / 1000 lm

Offset [m] Cone width [m] Illuminance [lx]

Offset [m]	Cone width [m]	Illuminance [lx]
3.0	2.51	680.1
6.0	5.02	170.0
9.0	7.53	75.6
12.0	10.04	42.5
15.0	12.55	27.2

η	LED
Efficiency	113 lm/W
Direct/Indirect	↓ 100% / ↑ 0%
System Power	33 W
UGR	X=4H, Y=8H
Reflection factors	70/50/20
UGR C0/C180	21.0
UGR C90/C270	21.0
CIE Flux Codes	98 99 100 100 100
Ra/CRI	>80

LTS

Accessories



SCER 1.100
mounting frame 1-lamp



SCER 1.200
mounting frame 2-lamp



SCER 1.300
mounting frame 3-lamp



ZB-OR DONGLE
Organic Response IR dongle kit



ZB-OR GATEWAY
Organic Response IoT Gateway Cascade Series



ZB-OR-R SENSOR
Organic Response sensor for recessed mounting