

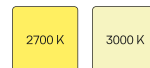
CSALP 50.2040.35/DALI



Description

- recessed spotlight with conical light-head
- suitable for lighting of vertical surfaces
- luminaire rotates through 350° and light-head pivots out through 35°
- outstanding ease of maintenance
- no UV and thermal emissions
- thermal management with passive cooling (heat sink made from aluminium)
- specular aluminium reflector with precise symmetrical beam characteristic for high luminous efficiency and glare-free lighting
- front/recessed ring and light-head made from die-cast zinc
- clear safety glass
- tool-free ceiling mounting via quick-action clamping springs (automatic adjustment of the ceiling thickness)
- luminaire and ballast permanently connected via cable (length: 500 mm), ballast ready for mains connection
- ballast (LED converter DALI, dimmable) included (external placement)

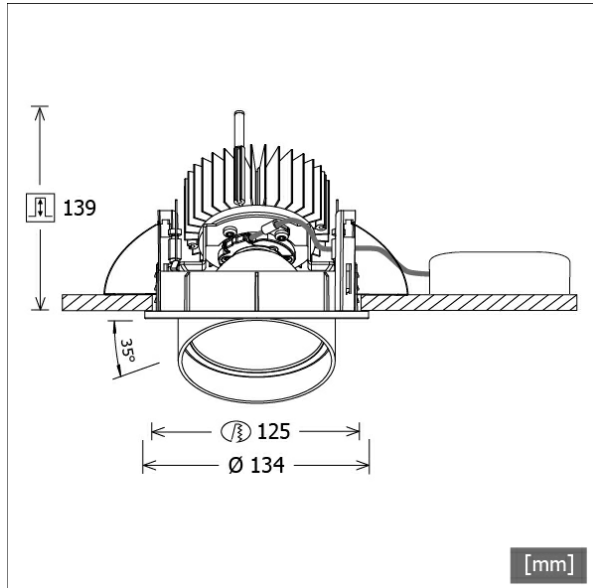
Standard options



Special options

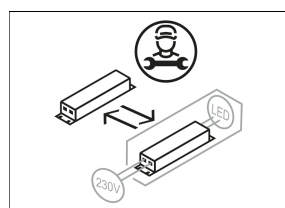
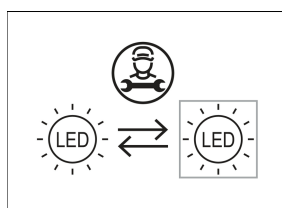


| Colours | Article no. | EAN |
|---------|-------------|---------------|
| black | 643516 | 4043544497222 |
| silver | 643517 | 4043544497239 |
| white | 643518 | 4043544497246 |



Lighting data / Norms

| | |
|-------------------------|----------------------------|
| Lamps | LED Spot / CRI 80 / 4000 K |
| EPREL light sources | 848119 |
| Lifetime | L90 B50 50.000 h |
| | L80 B50 100.000 h |
| | L80 B20 50.000 h |
| System power | 27.0 W |
| Luminaire luminous flux | 2820 lm |
| System efficiency | 104.44 lm/W |
| Module efficiency | 160.37 lm/W |
| UGR class | ≤22 |
| Beam angle | 35° |
| Supply voltage | 220 - 240 V / 50 - 60 Hz |
| Protection class | II |
| Type of protection | IP20 |

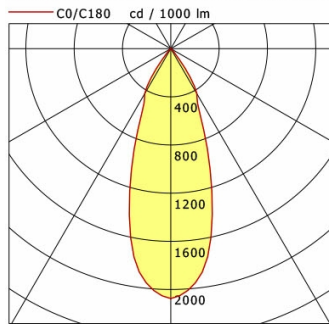


Dimensions / Weights

| | |
|-------------------|---------------|
| Outer diameter | 134 mm |
| Height | 144 mm |
| Cut-out (Ø) | 125 mm |
| Ceiling thickness | 1.0 - 25.0 mm |
| Recessed depth | 139 mm |
| Net weight | 1.25 kg |
| Gross weight | 1.33 kg |

CSALP 50.2040.35/DALI

CSA 50 (1xLED 27W 840/4000K 2820lm 35 °)



| | C0 | C90 | C180 | C270 |
|--------------|------|------|------|------|
| 0° | 2075 | 2075 | 2075 | 2075 |
| 15° | 1328 | 1328 | 1328 | 1328 |
| 30° | 432 | 432 | 432 | 432 |
| 45° | 21 | 21 | 21 | 21 |
| 60° | 7 | 7 | 7 | 7 |
| 75° | 4 | 4 | 4 | 4 |
| 90° | 0 | 0 | 0 | 0 |
| cd / 1000 lm | | | | |

| Offset [m] | Cone width [m] | Illuminance [lx] |
|------------|----------------|------------------|
| 3.0 | 1.97 | 650.2 |
| 6.0 | 3.95 | 162.5 |
| 9.0 | 5.92 | 72.2 |
| 12.0 | 7.89 | 40.6 |
| 15.0 | 9.87 | 26.0 |

| | |
|--------------------|-------------------|
| η | LED |
| Efficiency | 105 lm/W |
| Direct/Indirect | ↓ 100% / ↑ 0% |
| System Power | 27 W |
| UGR | X=4H, Y=8H |
| Reflection factors | 70/50/20 |
| UGR C0/C180 | 20.8 |
| UGR C90/C270 | 20.8 |
| CIE Flux Codes | 97 99 100 100 100 |
| Ra/CRI | >80 |

LTS

Accessories



ZB-OR DONGLE
Organic Response IR dongle kit



ZB-OR GATEWAY
Organic Response IoT Gateway Cascade Series



ZB-OR-R SENSOR
Organic Response sensor for recessed mounting



ZDAR 125.145-205
compensation ring for ceiling cut-outs from 145 to 205 mm