

CSA-R 402.930.MF



Description

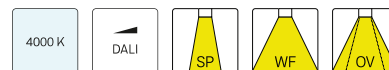
- recessed downlight with wide range of applications
- outstanding ease of maintenance
- no UV and thermal emissions
- innovative thermal management with passive cooling (heat sink made from die-cast aluminium)
- specular aluminium reflector with precise symmetrical beam characteristic for high luminous efficiency and glare-free lighting
- front ring made from die-cast aluminium with filigree black polycarbonate inner ring for additional glare control
- tool-free ceiling mounting via quick-action clamping springs (automatic adjustment of the ceiling thickness)
- luminaire and ballast permanently connected via cable (length: 500 mm), ballast ready for mains connection
- ballast (LED converter) included (external placement)

Notes

Also available with lower system power / lumen output on request.

| Colours | Article no. | EAN |
|---------|-------------|---------------|
| silver | 668123 | 4043544797827 |
| black | 668124 | 4043544797834 |
| white | 668125 | 4043544797841 |

Standard options



Special options

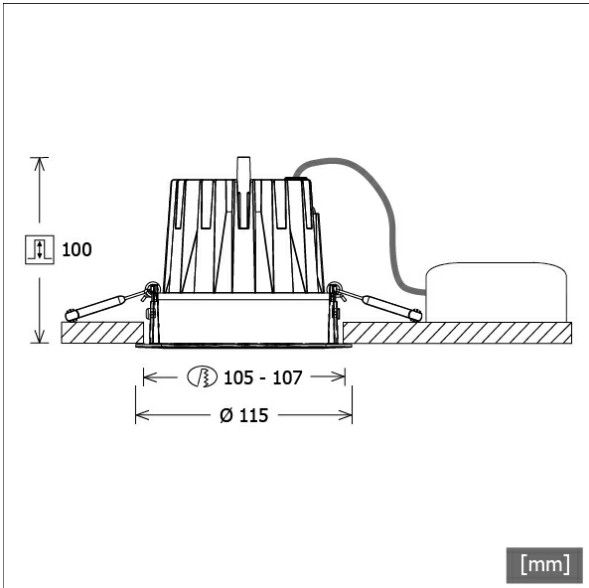


Lighting data / Norms

| | |
|-------------------------|---|
| Lamps | LED Spot / CRI 90 / 3000 K |
| Lifetime | L90 B50 50.000 h L80 B50 100.000 h L80 B20 50.000 h |
| System power | 19.7 W |
| Luminaire luminous flux | 2640 lm |
| System efficiency | 134.01 lm/W |
| Module efficiency | 137.00 lm/W |
| UGR class | ≤19 |
| Beam range | Medium Flood |
| Beam angle | 23° |
| Supply voltage | 220 - 240 V / 50 - 60 Hz |
| Protection class | II |
| Type of protection | IP20 |

Dimensions / Weights

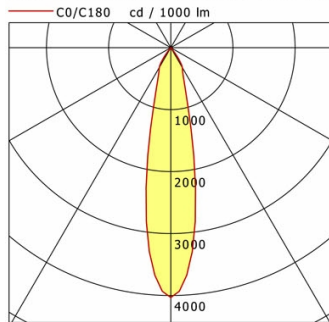
| | |
|-------------------|---------------|
| Outer diameter | 115 mm |
| Height | 102 mm |
| Cut-out (Ø) | 105 - 107 mm |
| Ceiling thickness | 3.0 - 26.0 mm |
| Recessed depth | 100 mm |
| Net weight | 0.42 kg |
| Gross weight | 0.48 kg |



CSA-R 402.930.MF

CSA-R 402.930.MF

CSA 40 Generation 2 (1xLED 20W 930/3000K 2640lm 23°)



| | C0 | C90 | C180 | C270 |
|--------------|------|------|------|------|
| 0° | 4033 | 4033 | 4033 | 4033 |
| 15° | 1167 | 1167 | 1167 | 1167 |
| 30° | 371 | 371 | 371 | 371 |
| 45° | 13 | 13 | 13 | 13 |
| 60° | 5 | 5 | 5 | 5 |
| 75° | 1 | 1 | 1 | 1 |
| 90° | 0 | 0 | 0 | 0 |
| cd / 1000 lm | | | | |

| Offset [m] | Cone width [m] | Illuminance [lx] |
|------------|----------------|------------------|
| 3.0 | 1.18 | 1182.9 |
| 6.0 | 2.35 | 295.7 |
| 9.0 | 3.53 | 131.4 |
| 12.0 | 4.71 | 73.9 |
| 15.0 | 5.89 | 47.3 |

| | |
|--------------------|--------------------|
| η | LED |
| Efficiency | 132 lm/W |
| Direct/Indirect | ↓ 100% / ↑ 0% |
| System Power | 20 W |
| UGR | X=4H, Y=8H |
| Reflection factors | 70/50/20 |
| UGR C0/C180 | 18.6 |
| UGR C90/C270 | 18.6 |
| CIE Flux Codes | 98 100 100 100 100 |
| Ra/CRI | >90 |

LTS