

LK-CH 045.040.840.50.2/DALI



Description

- light-insert for Lichtkanal 045 profiles with four integrated lenses for glare-free workplace lighting (UGR <= 19)
- no UV and thermal emissions
- 5-pole through-wiring kit included
- integrated high-tech lenses made from acrylic glass with black louvre optics for high luminous efficiency and glare-free lighting
- support plate made from aluminium
- tool-free snap-in fastening into profile
- 5-pole terminal block, pre-fabricated for 5-pole through-wiring
- ballast (LED converter DALI, dimmable) integrated

Notes

Not suitable in combination with protruding acrylic glass diffusers LK-Z 045 AOV.... The linear thermal expansion of the aluminium profile is about 0.3 mm per meter at dT = 10 Kelvin.

Standard options



Colours	Article no.	EAN
black	665607	4043544749031

Special options

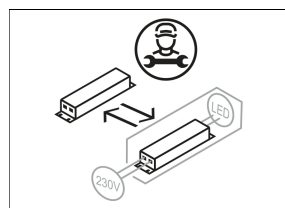
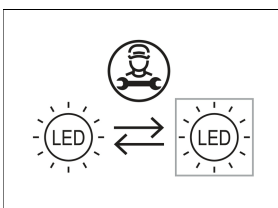
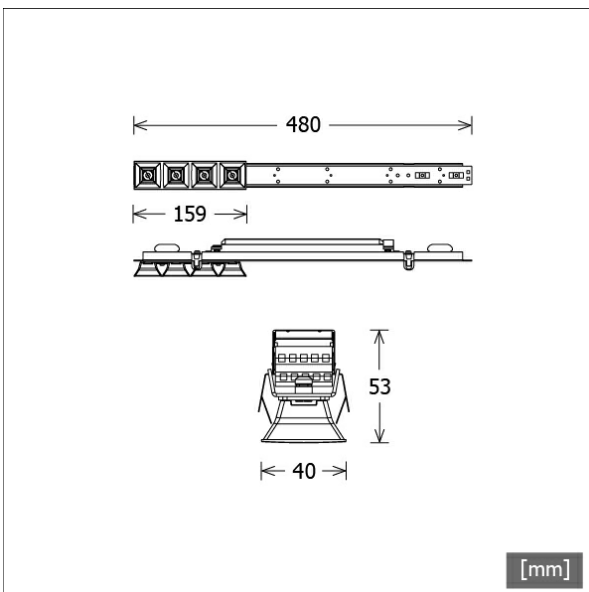


Lighting data / Norms

Lamps	LED linear / CRI 80 / 4000 K
EPREL light sources	1226327
	L90 B50 50.000 h
Lifetime	L80 B50 100.000 h
	L80 B20 50.000 h
System power	9.1 W
Luminaire luminous flux	770 lm
System efficiency	84.61 lm/W
Module efficiency	204.42 lm/W
UGR class	≤19
Beam angle	50°
Supply voltage	220 - 240 V / 50 - 60 Hz
Protection class	I

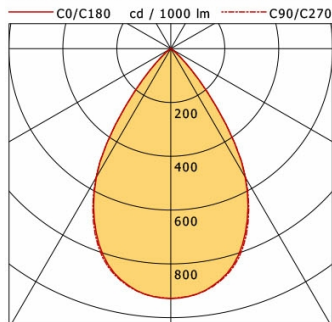
Dimensions / Weights

Length	480 mm
Width	40 mm
Height	53 mm
Net weight	0.42 kg
Gross weight	0.66 kg



LK-CH 045.040.840.50.2/DALI

Lichtkanal 045 | Light-Insert | Choc (1xLED 9W 840/4000K 770lm)



	C0	C90	C180	C270
0°	929	929	929	929
15°	850	855	850	855
30°	551	556	551	556
45°	91	90	91	90
60°	2	1	2	1
75°	0	0	0	0
90°	0	0	0	0
cd / 1000 lm				

Offset [m]	Cone width [m]		Illuminance [lx]
3.0	3.88	3.88	79.5
6.0	7.75	7.76	19.9
9.0	11.63	11.65	8.8
12.0	15.50	15.53	5.0
15.0	19.38	19.41	3.2

η	LED
Efficiency	86 lm/W
Direct/Indirect	↓ 100% / ↑ 0%
System Power	9 W
UGR	X=4H, Y=8H
Reflection factors	70/50/20
UGR C0/C180	19.0
UGR C90/C270	19.0
CIE Flux Codes	90 100 100 100 100
Ra/CRI	>80

LTS