

LFLEXS 201.840

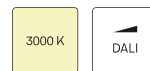


Description

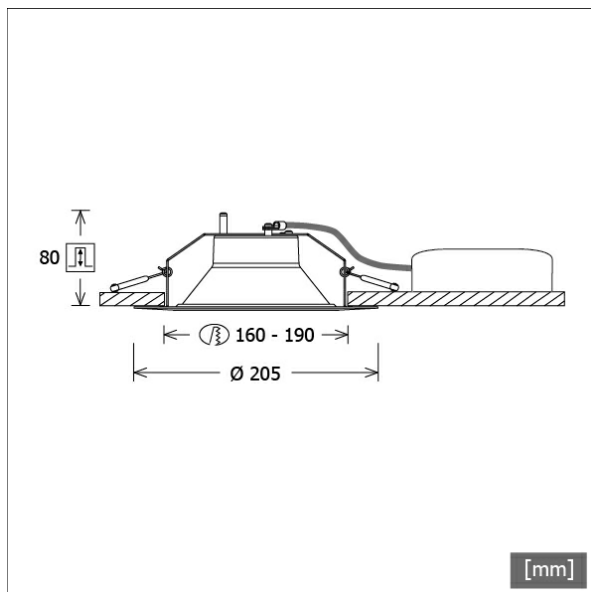
- environmentally friendly and cost-efficient round refurbishment downlight for diverse lighting tasks
- luminaire with halogen-free wiring
- outstanding ease of maintenance
- no UV and thermal emissions
- innovative thermal management via reflector (no heat sink required)
- high-tech reflector lense made from PMMA for high luminous efficiency and glare-free lighting
- white powder-coated high performance aluminium reflector with precise symmetrical beam characteristic
- recessed ring made from white powder-coated sheet steel
- tool-free ceiling mounting via automatic quick clamping (automatic adjustment of the ceiling thickness)
- luminaire and ballast permanently connected via cable (length: 500 mm), ballast ready for mains connection
- ballast (LED converter) included (external placement)

Colours	Article no.	EAN
white	669502	4043544811745

Standard options



Special options

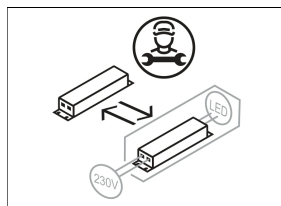
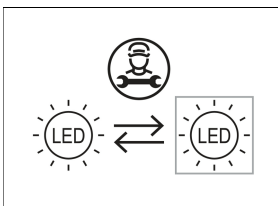


Lighting data / Norms

Lamps	LED Spot / CRI 80 / 4000 K
EPREL light sources	848119
	L90 B50 50.000 h
	L80 B50 100.000 h
	L80 B20 50.000 h
Lifetime	
System power	9.5 W
Luminaire luminous flux	1340 lm
System efficiency	141.05 lm/W
Module efficiency	160.37 lm/W
UGR class	≤19
Beam angle	65°
Supply voltage	220 - 240 V / 50 - 60 Hz
Protection class	II
Type of protection	IP20

Dimensions / Weights

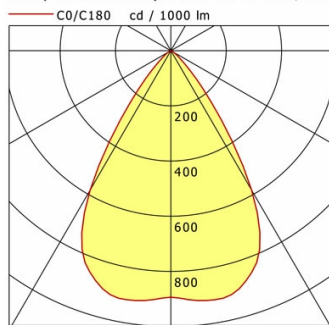
Outer diameter	205 mm
Height	82 mm
Cut-out (Ø)	160 - 190 mm
Ceiling thickness	10.0 - 26.0 mm
Recessed depth	80 mm
Net weight	0.43 kg
Gross weight	0.55 kg



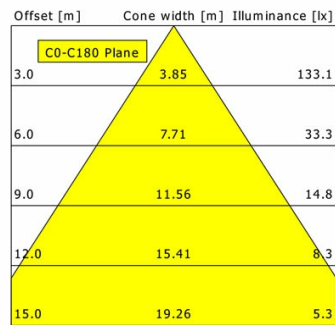
LFLEXS 201.840

LFLEXS 201.840

Lewy Flex Small (1xLED 10W 840/4000K 1340lm 65°)



	C0	C90	C180	C270
0°	894	894	894	894
15°	905	905	905	905
30°	584	584	584	584
45°	86	86	86	86
60°	8	8	8	8
75°	0	0	0	0
90°	0	0	0	0
cd / 1000 lm				



η	LED
Efficiency	134 lm/W
Direct/Indirect	↓ 100% / ↑ 0%
System Power	10 W
UGR	X=4H, Y=8H
Reflection factors	70/50/20
UGR C0/C180	17.0
UGR C90/C270	17.0
CIE Flux Codes	92 100 100 100 100
Ra/CRI	>80

LTS