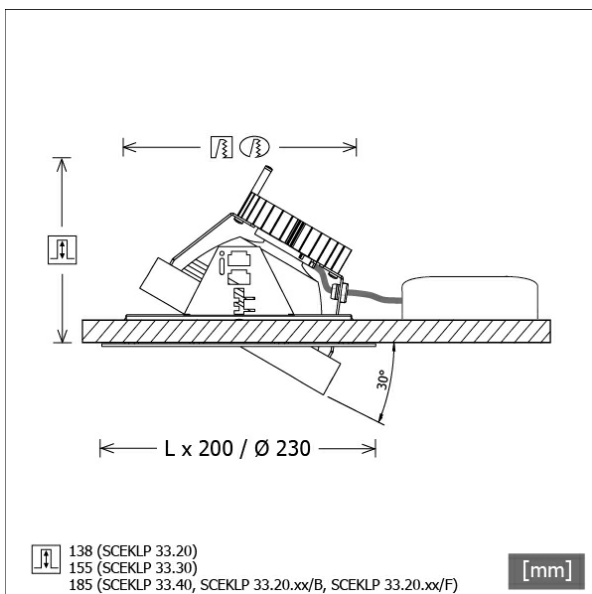


SCEKLP 33.3040.55/DALI



Colours	Article no.	EAN
black	643789	4043544499950
silver	643790	4043544499967
white	643791	4043544499974



Description

- flexible recessed spotlight system consisting of recessed frames, light-heads and ballasts (recessed frames to be ordered separately)
- light-head pivots through 30° on gimbals
- outstanding ease of maintenance
- no UV and thermal emissions
- thermal management with passive cooling (heat sink made from aluminium)
- gimbals made from die-cast zinc
- specular aluminium reflector with precise symmetrical beam characteristic for high luminous efficiency and glare-free lighting
- clear safety glass
- tool-free installation into mounting frame via flexible retaining springs
- connection to ballast via luminaire cable with Mini-Clamp connector
- ballast (LED converter DALI, dimmable) included (external placement)

Standard options



Special options



Lighting data / Norms

Lamps	LED Spot / CRI 80 / 4000 K
EPREL light sources	851282
	L90 B50 50.000 h
	L80 B50 100.000 h
	L80 B20 50.000 h
Lifetime	
System power	32.8 W
Luminaire luminous flux	3650 lm
System efficiency	111.28 lm/W
Module efficiency	162.17 lm/W
UGR class	≤22
Beam range	Wide Flood
Beam angle	57°
Supply voltage	220 - 240 V / 50 - 60 Hz
Protection class	III
Type of protection	IP20

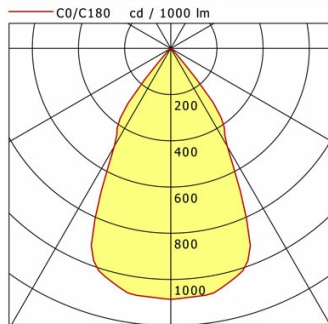
Dimensions / Weights

Height	157 mm
Recessed depth	155 mm
Diameter of light head	155 mm
Net weight	1.23 kg
Gross weight	1.32 kg

SCEKLP 33.3040.55/DALI

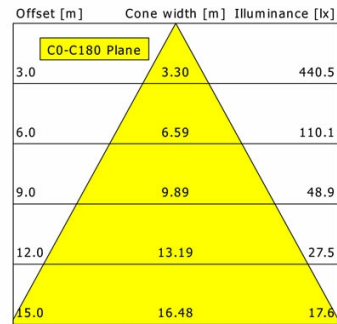
SCEKLP 33.3040.55/DALI

Scene 33 System | Light-Head (1xLED 33W 840/4000K 3650lm 55°)



	C0	C90	C180	C270
0°	1086	1086	1086	1086
15°	1036	1036	1036	1036
30°	490	490	490	490
45°	21	21	21	21
60°	2	2	2	2
75°	1	1	1	1
90°	0	0	0	0

cd / 1000 lm



η	LED
Efficiency	111 lm/W
Direct/Indirect	↓ 100% / ↑ 0%
System Power	33 W
UGR	X=4H, Y=8H
Reflection factors	70/50/20
UGR C0/C180	19.7
UGR C90/C270	19.7
CIE Flux Codes	97 100 100 100 100
Ra/CRI	>80

LTS

Accessories



SCER 33.100
mounting frame 1-lamp



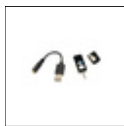
SCER 33.200
mounting frame 2-lamp



SCER 33.300
mounting frame 3-lamp



SCER 33.400
mounting frame 4-lamp



ZB-OR DONGLE
Organic Response IR dongle kit



ZB-OR GATEWAY
Organic Response IoT Gateway Cascade Series



ZB-OR-R SENSOR
Organic Response sensor for recessed mounting