

# CHOCM-R 220.840.80.02/DALI



## Description

- square recessed luminaire with wide range of applications and very low installation depth
- outstanding ease of maintenance
- no UV and thermal emissions
- thermal management via housing
- integrated high-tech lenses made from acrylic glass with black louvre optics for high luminous efficiency and glare-free lighting
- symmetrical and wide-beam light distribution
- housing made from sheet steel
- tool-free ceiling mounting via quick-action clamping springs (automatic adjustment of the ceiling thickness)
- luminaire and ballast permanently connected via cable (length: 500 mm), ballast ready for mains connection
- ballast (LED converter DALI, dimmable) included (external placement)

## Notes

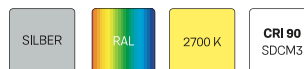
Required installation space: L x B x H = 250 x 250 x 50 mm.

Colours	Article no.	EAN
silver	665602	4043544748980
black	665603	4043544748997
white	665604	4043544749000

## Standard options

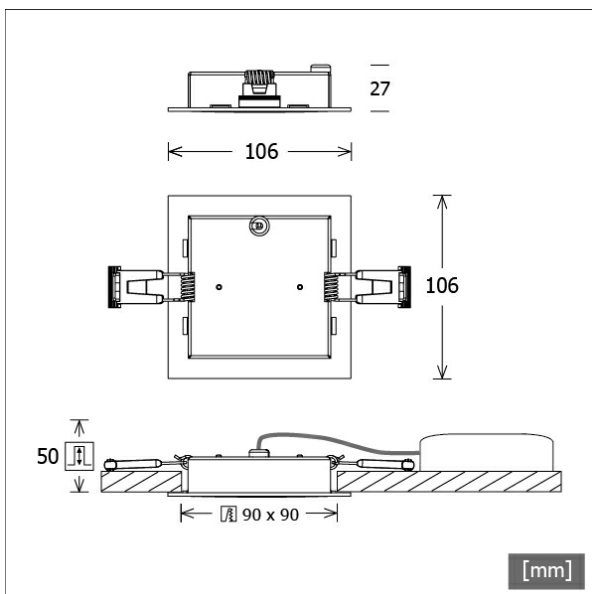


## Special options



## Lighting data / Norms

Lamps	LED Modul / CRI 80 / 4000 K
EPREL light sources	1226237
Lifetime	L90 B50 50.000 h L80 B50 100.000 h L80 B20 50.000 h
System power	7.3 W
Luminaire luminous flux	800 lm
System efficiency	109.58 lm/W
Module efficiency	203.68 lm/W
UGR class	≤19
Beam angle	80°
Supply voltage	220 - 240 V / 50 - 60 Hz
Protection class	II
Type of protection	IP20



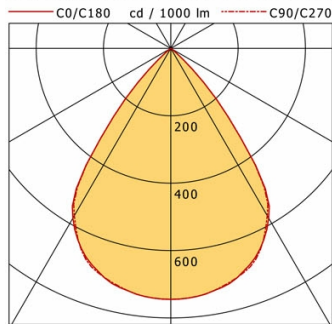
## Dimensions / Weights

Length	106 mm
Width	106 mm
Height	27 mm
Cut-out (LxW)	90 x 90 mm
Ceiling thickness	1.0 - 15.0 mm
Recessed depth	50 mm
Net weight	0.41 kg
Gross weight	0.43 kg

# CHOCM-R 220.840.80.02/DALI

## CHOCM-R 220.840.80.02/DALI

Choc | Recessed (1xLED 7W 840/4000K 800lm)



	C0	C90	C180	C270
0°	745	745	745	745
15°	715	713	715	713
30°	582	573	582	573
45°	114	115	114	115
60°	0	0	0	0
75°	0	0	0	0
90°	0	0	0	0
cd / 1000 lm				

Offset [m]	Cone width [m]		Illuminance [lx]
3.0	4.55	4.55	66.2
6.0	9.10	9.10	16.5
9.0	13.65	13.65	7.4
12.0	18.20	18.20	4.1
15.0	22.75	22.75	2.6

<b>η</b>	LED
Efficiency	114 lm/W
Direct/Indirect	↓ 100% / ↑ 0%
System Power	7 W
<b>UGR</b>	X=4H, Y=8H
Reflection factors	70/50/20
UGR C0/C180	18.9
UGR C90/C270	18.9
CIE Flux Codes	89 100 100 100 100
Ra/CRI	>80

LTS

### Accessories



**ZB-OR DONGLE**  
Organic Response IR dongle kit



**ZB-OR GATEWAY**  
Organic Response IoT Gateway Cascade Series



**ZB-OR-R SENSOR**  
Organic Response sensor for recessed mounting