

# CSALP 60.1030.15



Colours	Article no.	EAN
silver	612553	4043544290595
white	612554	4043544290601
black	637522	4043544411013



## Description

- recessed spotlight with wide range of applications
- luminaire rotates through 350° and pivots through 40°
- outstanding ease of maintenance
- no UV and thermal emissions
- thermal management with passive cooling (heat sink made from aluminium)
- specular aluminium reflector with precise symmetrical beam characteristic for high luminous efficiency and glare-free lighting
- front rings and recessed ring made from die-cast zinc
- tool-free ceiling mounting via quick-action clamping springs (automatic adjustment of the ceiling thickness)
- luminaire and ballast permanently connected via cable (length: 500 mm), ballast ready for mains connection
- ballast (LED converter) included (external placement)

## Standard options



## Special options



## Lighting data / Norms

Lamps	LED Spot / CRI 80 / 3000 K
EPREL light sources	848117
Lifetime	L90 B50 50.000 h
	L80 B50 100.000 h
	L80 B20 50.000 h
System power	14.0 W
Luminaire luminous flux	1430 lm
System efficiency	102.14 lm/W
Module efficiency	156.64 lm/W
UGR class	≤19
Beam angle	15°
Supply voltage	220 - 240 V / 50 - 60 Hz
Protection class	II
Type of protection	IP20

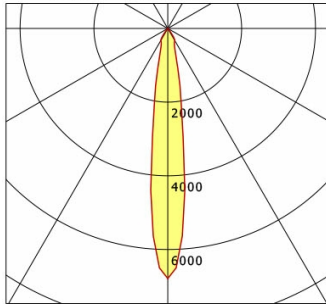
## Dimensions / Weights

Outer diameter	134 mm
Height	90 mm
Cut-out (Ø)	125 mm
Ceiling thickness	1.0 - 25.0 mm
Recessed depth	100 mm
Net weight	0.94 kg
Gross weight	0.99 kg

# CSALP 60.1030.15

CSA 60 (1xLED 14W 830/3000K 1430lm 15 °)

C0/C180 cd / 1000 lm



	C0	C90	C180	C270
0°	6788	6788	6788	6788
15°	961	961	961	961
30°	377	377	377	377
45°	3	3	3	3
60°	3	3	3	3
75°	2	2	2	2
90°	0	0	0	0
cd / 1000 lm				

Offset [m] Cone width [m] Illuminance [lx]

Offset [m]	Cone width [m]	Illuminance [lx]
3.0	0.77	1078.5
6.0	1.54	269.6
9.0	2.32	119.8
12.0	3.09	67.4
15.0	3.86	43.1

<b>η</b>	LED
Efficiency	102 lm/W
Direct/Indirect	↓ 100% / ↑ 0%
System Power	14 W
<b>UGR</b>	X=4H, Y=8H
Reflection factors	70/50/20
UGR C0/C180	16.5
UGR C90/C270	16.5
CIE Flux Codes	99 100 100 100 100
Ra/CRI	>80

LTS

## Accessories



**ZDAR 125.145-205**  
compensation ring for ceiling cut-outs from 145 to 205 mm