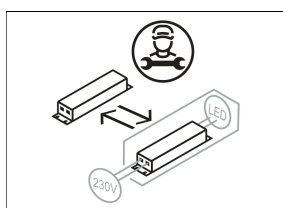
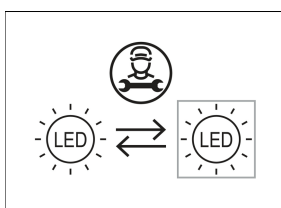
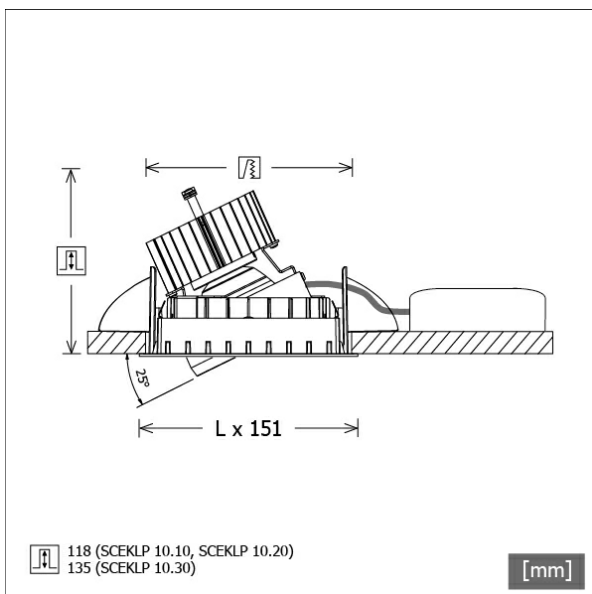


SCEKLP 10.3040.15



Colours	Article no.	EAN
white	632777	4043544409423
silver	632782	4043544409416
black	632792	4043544409409



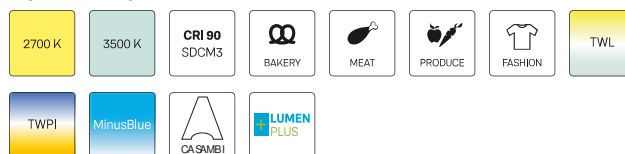
Description

- flexible recessed spotlight system consisting of recessed frames, light-heads and ballasts (recessed frames to be ordered separately)
- adjustable ceiling look: flush with ceiling or recessed by 6 mm
- light-head rotates through 350° and pivots through 25°
- outstanding ease of maintenance
- no UV and thermal emissions
- light-head consisting of front frame (die-cast magnesium) and front ring (die-cast zinc)
- thermal management with passive cooling (heat sink made from aluminium)
- specular aluminium reflector with precise symmetrical beam characteristic for high luminous efficiency and glare-free lighting
- light-head snaps into mounting frame without tools
- connection to ballast via luminaire cable with Mini-Clamp connector
- ballast (LED converter) included (external placement)

Standard options



Special options



Lighting data / Norms

Lamps	LED Spot / CRI 80 / 4000 K
EPREL light sources	851282
Lifetime	L90 B50 50.000 h
	L80 B50 100.000 h
	L80 B20 50.000 h
System power	32.8 W
Luminaire luminous flux	3830 lm
System efficiency	116.76 lm/W
Module efficiency	162.17 lm/W
UGR class	≤22
Beam range	Spot
Beam angle	15°
Supply voltage	220 - 240 V / 50 - 60 Hz
Protection class	III
Type of protection	IP20

Dimensions / Weights

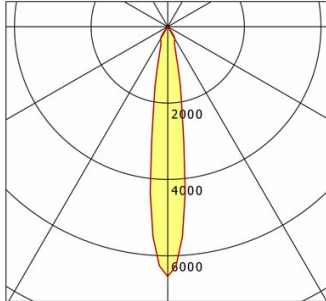
Length	125 mm
Width	125 mm
Height	138 mm
Recessed depth	135 mm
Diameter of light head	100 mm
Net weight	0.97 kg
Gross weight	1.03 kg

SCEKLP 10.3040.15

SCEKLP 10.3040.15

Scene 1 System | Light-Head (1xLED 33W 840/4000K 3830lm)

C0/C180 cd / 1000 lm



	C0	C90	C180	C270
0°	6543	6543	6543	6543
15°	965	965	965	965
30°	376	376	376	376
45°	4	4	4	4
60°	4	4	4	4
75°	2	2	2	2
90°	0	0	0	0
cd / 1000 lm				

Offset [m] Cone width [m] Illuminance [lx]

Offset [m]	Cone width [m]	Illuminance [lx]
3.0	0.79	2784.3
6.0	1.59	696.1
9.0	2.38	309.4
12.0	3.17	174.0
15.0	3.97	111.4

η	LED
Efficiency	116 lm/W
Direct/Indirect	↓ 100% / ↑ 0%
System Power	33 W
UGR	X=4H, Y=8H
Reflection factors	70/50/20
UGR C0/C180	20.0
UGR C90/C270	20.0
CIE Flux Codes	99 99 100 100 100
Ra/CRI	>80

LTS

Accessories



SCER 1.100
mounting frame 1-lamp



SCER 1.200
mounting frame 2-lamp



SCER 1.300
mounting frame 3-lamp