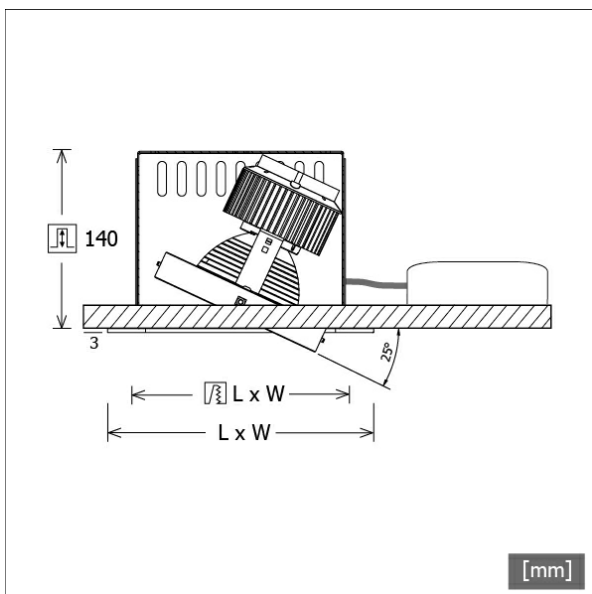


SCEKLP 20.3030.15



| Colours | Article no. | EAN |
|---------|-------------|---------------|
| black | 638367 | 4043544420589 |
| silver | 638368 | 4043544420596 |
| white | 638369 | 4043544420602 |



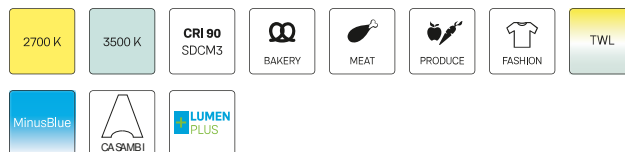
Description

- flexible recessed spotlight system consisting of recessed housings, light-heads and ballasts (recessed housings to be ordered separately)
- light-head pivots through 25° with gimbals
- outstanding ease of maintenance
- no UV and thermal emissions
- light-head gimbals made from die-cast zinc
- thermal management with passive cooling (heat sink made from aluminium)
- specular aluminium reflector with precise symmetrical beam characteristic for high luminous efficiency and glare-free lighting
- clear safety glass
- assembly into the recessed housing takes place in the factory
- connection to ballast via luminaire cable with Mini-Clamp connector
- ballast (LED converter) included (external placement)

Standard options



Special options



Lighting data / Norms

| | |
|-------------------------|----------------------------|
| Lamps | LED Spot / CRI 80 / 3000 K |
| EPREL light sources | 851239 |
| Lifetime | L90 B50 50.000 h |
| | L80 B50 100.000 h |
| | L80 B20 50.000 h |
| System power | 32.8 W |
| Luminaire luminous flux | 3600 lm |
| System efficiency | 109.75 lm/W |
| Module efficiency | 158.91 lm/W |
| UGR class | ≤22 |
| Beam range | Spot |
| Beam angle | 14° |
| Supply voltage | 220 - 240 V / 50 - 60 Hz |
| Protection class | III |
| Type of protection | IP20 |

Dimensions / Weights

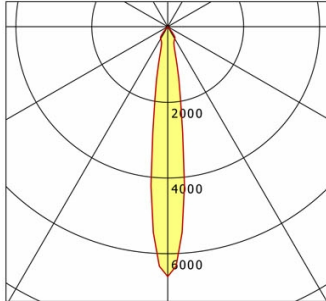
| | |
|------------------------|---------|
| Height | 143 mm |
| Recessed depth | 122 mm |
| Diameter of light head | 140 mm |
| Net weight | 0.96 kg |
| Gross weight | 1.02 kg |

SCEKLP 20.3030.15

SCEKLP 20.3030.15

Scene 2 System | Light-Head (1xLED 33W 830/3000K 3600lm)

C0/C180 cd / 1000 lm



| | C0 | C90 | C180 | C270 |
|--------------|------|------|------|------|
| 0° | 6604 | 6604 | 6604 | 6604 |
| 15° | 824 | 824 | 824 | 824 |
| 30° | 372 | 372 | 372 | 372 |
| 45° | 18 | 18 | 18 | 18 |
| 60° | 1 | 1 | 1 | 1 |
| 75° | 0 | 0 | 0 | 0 |
| 90° | 0 | 0 | 0 | 0 |
| cd / 1000 lm | | | | |

Offset [m] Cone width [m] Illuminance [lx]

| Offset [m] | Cone width [m] | Illuminance [lx] |
|------------|----------------|------------------|
| 3.0 | 0.76 | 2641.6 |
| 6.0 | 1.52 | 660.4 |
| 9.0 | 2.28 | 293.5 |
| 12.0 | 3.04 | 165.1 |
| 15.0 | 3.80 | 105.7 |

| | |
|--------------------|--------------------|
| η | LED |
| Efficiency | 110 lm/W |
| Direct/Indirect | ↓ 100% / ↑ 0% |
| System Power | 33 W |
| UGR | X=4H, Y=8H |
| Reflection factors | 70/50/20 |
| UGR C0/C180 | 20.0 |
| UGR C90/C270 | 20.0 |
| CIE Flux Codes | 98 100 100 100 100 |
| Ra/CRI | >80 |

LTS

Accessories



SCER 2.1140
recessed housing 1-lamp



SCER 2.2140
recessed housing 2-lamp



SCER 2.3140
recessed housing 3-lamp



SCER 2.4140
recessed housing 4-lamp