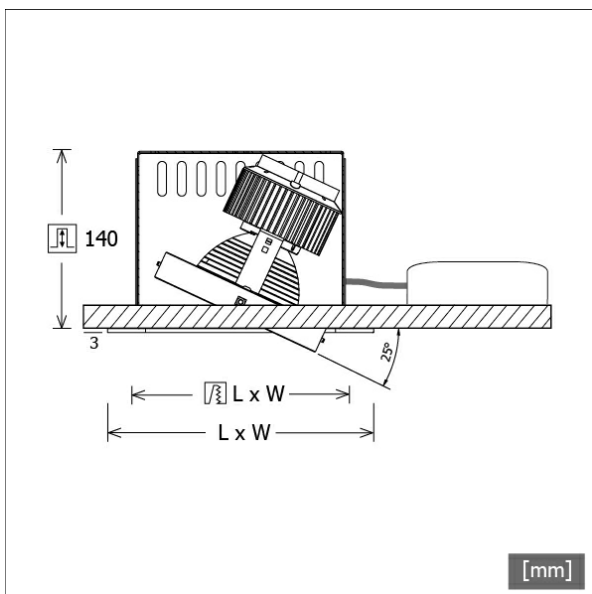


SCEKLP 20.3040.15



Colours	Article no.	EAN
black	638379	4043544420701
silver	638380	4043544420718
white	638381	4043544420725



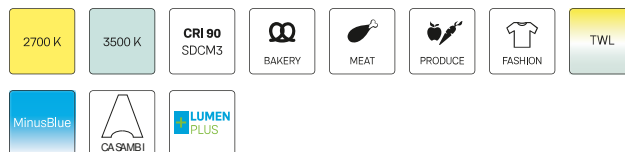
Description

- flexible recessed spotlight system consisting of recessed housings, light-heads and ballasts (recessed housings to be ordered separately)
- light-head pivots through 25° with gimbals
- outstanding ease of maintenance
- no UV and thermal emissions
- light-head gimbals made from die-cast zinc
- thermal management with passive cooling (heat sink made from aluminium)
- specular aluminium reflector with precise symmetrical beam characteristic for high luminous efficiency and glare-free lighting
- clear safety glass
- assembly into the recessed housing takes place in the factory
- connection to ballast via luminaire cable with Mini-Clamp connector
- ballast (LED converter) included (external placement)

Standard options



Special options



Lighting data / Norms

Lamps	LED Spot / CRI 80 / 4000 K
EPREL light sources	851282
Lifetime	L90 B50 50.000 h
	L80 B50 100.000 h
	L80 B20 50.000 h
System power	32.8 W
Luminaire luminous flux	3780 lm
System efficiency	115.24 lm/W
Module efficiency	162.17 lm/W
UGR class	≤22
Beam range	Spot
Beam angle	14°
Supply voltage	220 - 240 V / 50 - 60 Hz
Protection class	III
Type of protection	IP20

Dimensions / Weights

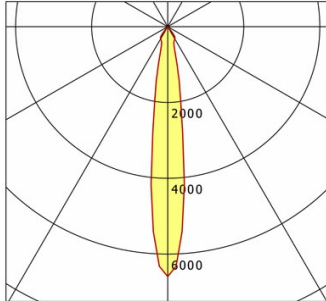
Height	143 mm
Recessed depth	122 mm
Diameter of light head	140 mm
Net weight	0.96 kg
Gross weight	1.02 kg

SCEKLP 20.3040.15

SCEKLP 20.3040.15

Scene 2 System | Light-Head (1xLED 33W 840/4000K 3780lm)

C0/C180 cd / 1000 lm



	C0	C90	C180	C270
0°	6592	6592	6592	6592
15°	829	829	829	829
30°	372	372	372	372
45°	18	18	18	18
60°	1	1	1	1
75°	0	0	0	0
90°	0	0	0	0
cd / 1000 lm				

Offset [m] Cone width [m] Illuminance [lx]

Offset [m]	Cone width [m]	Illuminance [lx]
3.0	0.76	2768.6
6.0	1.52	692.1
9.0	2.28	307.6
12.0	3.04	173.0
15.0	3.80	110.7

η	LED
Efficiency	115 lm/W
Direct/Indirect	↓ 100% / ↑ 0%
System Power	33 W
UGR	X=4H, Y=8H
Reflection factors	70/50/20
UGR C0/C180	20.2
UGR C90/C270	20.2
CIE Flux Codes	98 100 100 100 100
Ra/CRI	>80

LTS

Accessories



SCER 2.1140
recessed housing 1-lamp



SCER 2.2140
recessed housing 2-lamp



SCER 2.3140
recessed housing 3-lamp



SCER 2.4140
recessed housing 4-lamp