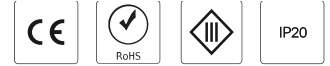
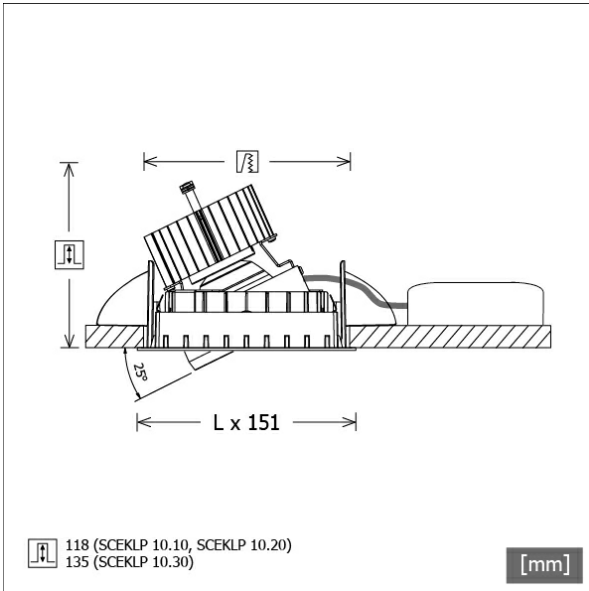


SCEKLP 10.1030.25



Colours	Article no.	EAN
black	619358	4043544300355
silver	619359	4043544300362
white	619360	4043544300379



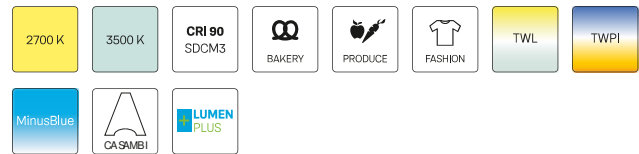
Description

- flexible recessed spotlight system consisting of recessed frames, light-heads and ballasts (recessed frames to be ordered separately)
- adjustable ceiling look: flush with ceiling or recessed by 6 mm
- light-head rotates through 350° and pivots through 25°
- outstanding ease of maintenance
- no UV and thermal emissions
- light-head consisting of front frame (die-cast magnesium) and front ring (die-cast zinc)
- thermal management with passive cooling (heat sink made from aluminium)
- specular aluminium reflector with precise symmetrical beam characteristic for high luminous efficiency and glare-free lighting
- light-head snaps into mounting frame without tools
- connection to ballast via luminaire cable with Mini-Clamp connector
- ballast (LED converter) included (external placement)

Standard options



Special options



Lighting data / Norms

Lamps	LED Spot / CRI 80 / 3000 K
EPREL light sources	848117
Lifetime	L90 B50 50.000 h
	L80 B50 100.000 h
	L80 B20 50.000 h
System power	13.4 W
Luminaire luminous flux	1420 lm
System efficiency	105.97 lm/W
Module efficiency	156.64 lm/W
UGR class	≤19
Beam range	Medium Flood
Beam angle	23°
Supply voltage	220 - 240 V / 50 - 60 Hz
Protection class	II
Type of protection	IP20

Dimensions / Weights

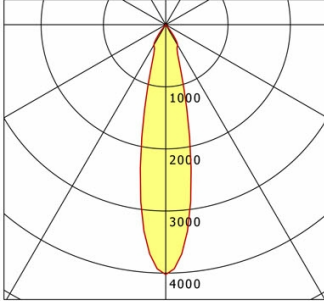
Length	125 mm
Width	125 mm
Height	121 mm
Recessed depth	118 mm
Diameter of light head	100 mm
Net weight	0.65 kg
Gross weight	0.71 kg

SCEKLP 10.1030.25

SCEKLP 10.1030.25

Scene 1 System | Light-Head (1xLED 13W 830/3000K 1420lm)

C0/C180 cd / 1000 lm



	C0	C90	C180	C270
0°	4023	4023	4023	4023
15°	1214	1214	1214	1214
30°	381	381	381	381
45°	7	7	7	7
60°	2	2	2	2
75°	2	2	2	2
90°	0	0	0	0
cd / 1000 lm				

Offset [m] Cone width [m] Illuminance [lx]

Offset [m]	Cone width [m]	Illuminance [lx]
3.0	1.20	634.8
6.0	2.41	158.7
9.0	3.61	70.5
12.0	4.82	39.7
15.0	6.02	25.4

η	LED
Efficiency	110 lm/W
Direct/Indirect	↓ 100% / ↑ 0%
System Power	13 W
UGR	X=4H, Y=8H
Reflection factors	70/50/20
UGR C0/C180	17.0
UGR C90/C270	17.0
CIE Flux Codes	99 99 100 100 100
Ra/CRI	>80

LTS

Accessories



SCER 1.100
mounting frame 1-lamp



SCER 1.200
mounting frame 2-lamp



SCER 1.300
mounting frame 3-lamp