

# ST-A 10/9000A-1-ST



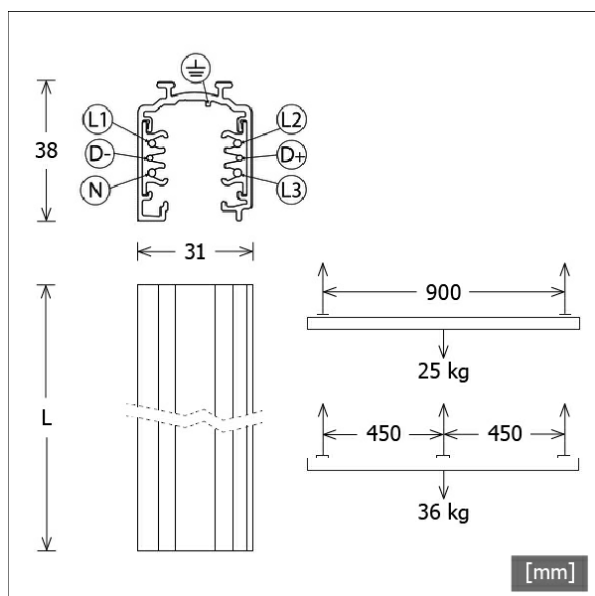
## Description

- surface-mounted track with data bus (length: 1000 mm)
- also suitable for 3-phase track adapters without bus function
- realisation of lighting tasks with DALI technology
- 6-conductor track with three separately controllable current circuits
- extruded aluminium profile which also functions as earth
- length can be adjusted on site by easily shortening the track (cutting tool ST-ZCUT/S-9000/T-N required for shortening the copper conductors)
- easy ceiling mounting with pre-punched oval mounting holes
- mechanical load diagramm see additional data sheet
- max. electrical load: AC mains power supply 3.6 kVA, 3-phase network 3 x 3.6 kVA = 10.8 kVA
- rated current and voltage: 16 A / 440 V (1 A / 50 V AC FELV)
- system components to be ordered separately

## Dimensions / Weights

Length	1000 mm
Width	31 mm
Height	38 mm
Net weight	0.88 kg
Gross weight	0.93 kg

Colours	Article no.	EAN
grey	659387	4043544785862
black	659388	4043544785879
white	659389	4043544785886



# ST-A 10/9000A-1-ST

## Accessories



**EU 36**  
universal hook



**EU 37**  
cap for universal hook



**LA 30 SA-NORDIC**  
3-phase track adapter for wire-rope suspension



**ST-A CAP/9004**  
end cover for surface-mounted track



**ST-A F/PE-L/9002**  
end feed-in with polarity left



**ST-A F/PE-R/9001**  
end feed-in with polarity right



**ST-A FLEX/9018**  
flexible connector



**ST-A I/9010**  
linear connector with feed-in



**ST-A L/PE-IN/9011**  
L-connector with polarity inside and feed-in



**ST-A L/PE-OUT/9012**  
L-connector with polarity outside and feed-in



**ST-A P/19/S-9000-P3**  
pendant-rod suspension  
(length: 1000 mm)



**ST-A S/9000-KIT4/1500**  
wire-rope suspension (length: 1500 mm) + fixing  
clamp

# ST-A 10/9000A-1-ST

## Accessories



**ST-A S/9000-KIT4/3000**  
wire-rope suspension (length: 3000 mm) + fixing clamp



**ST-A S/9000-KIT4/5000**  
wire-rope suspension (length: 5000 mm) + fixing clamp



**ST-A S/S-9000-111**  
ceiling bracket



**ST-A S/S-9000-116**  
ceiling bracket with Reutlinger



**ST-A S/S-9000-131**  
fixing clamp



**ST-A S28**  
wire-rope suspension 2-fold with stabilizer



**ST-A T/PE-IN-L/9015**  
T-connector with polarity inside left and feed-in



**ST-A T/PE-IN-R/9016**  
T-connector with polarity inside right and feed-in



**ST-A T/PE-OUT-L/9013**  
T-connector with polarity outside left and feed-in



**ST-A T/PE-OUT-R/9014**  
T-connector with polarity outside right and feed-in



**ST-A X/9017**  
X-connector with feed-in



**ST-IE/9003**  
electric linear connector (inside)



**ST-IM/S-9000-322-LA**  
mechanical coupler (outside)



**ST-ZLA 30**  
3-phase track adapter



**ST-ZLA 30 M10**  
3-phase track adapter with thread nipple M10



**ST-ZLA 30 M13**  
3-phase track adapter with thread nipple M13



**ST-ZLAB 30 M13**  
3-phase track bus adapter with thread nipple M13



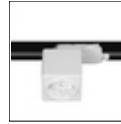
**ST-ZCOV/S-9000/GP**  
cover strip

# ST-A 10/9000A-1-ST

## Accessories



ST-ZCUT/S-9000/T-N  
cutting tool



ST-ZSCHUKO/4230V  
socket adapter for 3-phase track