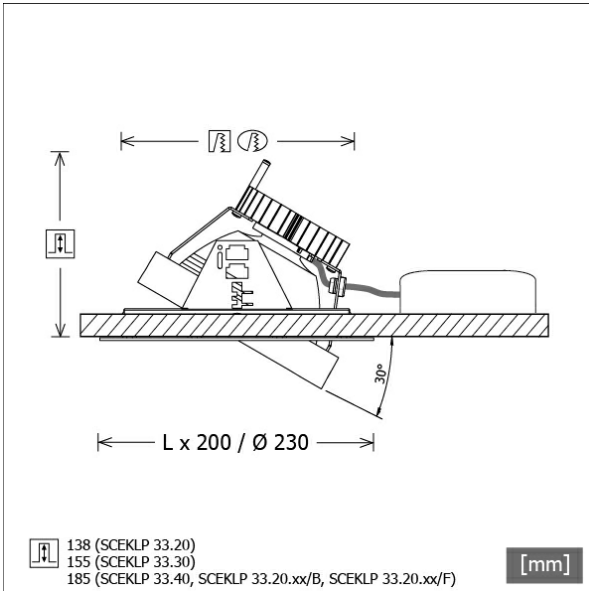


SCEKLP 33.5030.15



Colours	Article no.	EAN
black	655173	4043544639417
silver	655174	4043544639424
white	655175	4043544639431



Description

- flexible recessed spotlight system consisting of recessed frames, light-heads and ballasts (recessed frames to be ordered separately)
- light-head pivots through 30° on gimbals
- outstanding ease of maintenance
- no UV and thermal emissions
- thermal management with passive cooling (heat sink made from aluminium)
- gimbals made from die-cast zinc
- specular aluminium reflector with precise symmetrical beam characteristic for high luminous efficiency and glare-free lighting
- clear safety glass
- tool-free installation into mounting frame via flexible retaining springs
- connection to ballast via luminaire cable with Mini-Clamp connector
- ballast (LED converter) included (external placement)

Standard options



Special options



Lighting data / Norms

Lamps	LED Spot / CRI 80 / 3000 K
EPREL light sources	848104
Lifetime	L90 B50 50.000 h
	L80 B50 100.000 h
	L80 B20 50.000 h
System power	52.0 W
Luminaire luminous flux	5310 lm
System efficiency	102.11 lm/W
Module efficiency	163.73 lm/W
UGR class	≤22
Beam range	Spot
Beam angle	16°
Supply voltage	220 - 240 V / 50 - 60 Hz
Protection class	II
Type of protection	IP20

Dimensions / Weights

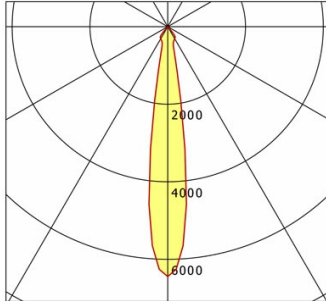
Height	165 mm
Recessed depth	185 mm
Diameter of light head	155 mm
Net weight	1.38 kg
Gross weight	1.43 kg

SCEKLP 33.5030.15

SCEKLP 33.5030.15

Scene 33 System | Light-Head (1xLED 52W 830/3000K 5310lm 15°)

— C0/C180 cd / 1000 lm



	C0	C90	C180	C270
0°	6444	6444	6444	6444
15°	617	617	617	617
30°	358	358	358	358
45°	17	17	17	17
60°	1	1	1	1
75°	1	1	1	1
90°	0	0	0	0
cd / 1000 lm				

Offset [m] Cone width [m] Illuminance [lx]

Offset [m]	Cone width [m]	Illuminance [lx]
3.0	0.84	3802.2
6.0	1.68	950.5
9.0	2.51	422.5
12.0	3.35	237.6
15.0	4.19	152.1

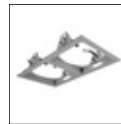
η	LED
Efficiency	102 lm/W
Direct/Indirect	↓ 100% / ↑ 0%
System Power	52 W
UGR	X=4H, Y=8H
Reflection factors	70/50/20
UGR C0/C180	19.8
UGR C90/C270	19.8
CIE Flux Codes	97 100 100 100 100
Ra/CRI	>80

LTS

Accessories



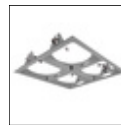
SCER 33.100
mounting frame 1-lamp



SCER 33.200
mounting frame 2-lamp



SCER 33.300
mounting frame 3-lamp



SCER 33.400
mounting frame 4-lamp