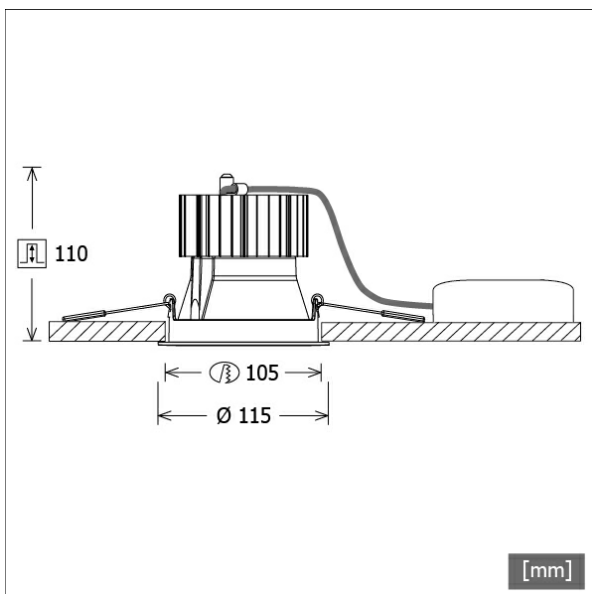


# FLIR 200.2040.15



Colours	Article no.	EAN
black	636592	4043544391742
silver	636593	4043544391759
white	636594	4043544391766



## Description

- recessed spotlight with optical design variants and wide range of applications
- light-head pivots through 20°
- outstanding ease of maintenance
- no UV and thermal emissions
- thermal management with passive cooling (heat sink made from aluminium)
- high performance specular aluminium reflector with precise symmetrical beam characteristic for highest luminous efficiency and best glare-free lighting
- front/recessed ring made from die-cast zinc with clear light effect ring (other decor/light effect rings and deco glasses are available as options)
- tool-free ceiling mounting via quick-action clamping springs (automatic adjustment of the ceiling thickness)
- luminaire and ballast permanently connected via cable (length: 500 mm), ballast ready for mains connection
- ballast (LED converter) included (external placement)

## Standard options



## Special options



## Lighting data / Norms

Lamps	LED Spot / CRI 80 / 4000 K
EPREL light sources	848119
Lifetime	L90 B50 50.000 h
	L80 B50 100.000 h
	L80 B20 50.000 h
System power	27.0 W
Luminaire luminous flux	max. 3120 lm
System efficiency	115.55 lm/W
Module efficiency	160.37 lm/W
UGR class	≤28
Beam range	Spot
Beam angle	19°
Supply voltage	220 - 240 V / 50 - 60 Hz
Protection class	II
Type of protection	IP20

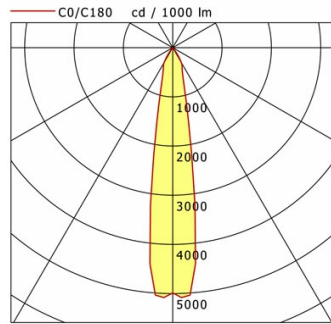
## Dimensions / Weights

Outer diameter	115 mm
Height	112 mm
Cut-out (Ø)	105 mm
Ceiling thickness	1.0 - 25.0 mm
Recessed depth	110 mm
Net weight	0.87 kg
Gross weight	0.95 kg

# FLIR 200.2040.15

## FLIR 200.2040.15

Flixx 200 Round (FLIRZ 200.05, 1xLED 27W 840/4000K 3120lm 19°)



	C0	C90	C180	C270
0°	4987	4987	4987	4987
15°	989	989	989	989
30°	349	349	349	349
45°	15	15	15	15
60°	9	9	9	9
75°	4	4	4	4
90°	0	0	0	0
cd / 1000 lm				

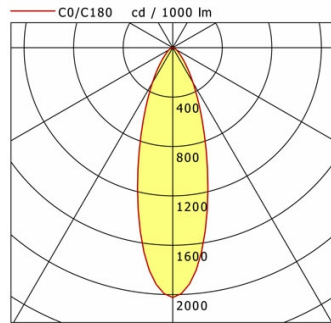
Offset [m]	Cone width [m]	Illuminance [lx]
3.0	0.99	1728.8
6.0	1.98	432.2
9.0	2.97	192.1
12.0	3.97	108.1
15.0	4.96	69.2

<b>η</b>	LED
Efficiency	116 lm/W
Direct/Indirect	↓ 100% / ↑ 0%
System Power	27 W
<b>UGR</b>	X=4H, Y=8H
Reflection factors	70/50/20
UGR C0/C180	19.2
UGR C90/C270	19.2
CIE Flux Codes	97 99 100 100 100
Ra/CRI	>80

LTS

## FLIR 200.2040.15

Flixx 200 Round (FLIRZ 200.24, 1xLED 27W 840/4000K 2940lm 19°)



	C0	C90	C180	C270
0°	2024	2024	2024	2024
15°	1095	1095	1095	1095
30°	329	329	329	329
45°	93	93	93	93
60°	35	35	35	35
75°	15	15	15	15
90°	0	0	0	0
cd / 1000 lm				

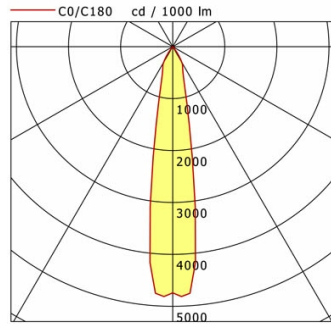
Offset [m]	Cone width [m]	Illuminance [lx]
3.0	1.73	661.0
6.0	3.47	165.3
9.0	5.20	73.4
12.0	6.94	41.3
15.0	8.67	26.4

<b>η</b>	LED
Efficiency	109 lm/W
Direct/Indirect	↓ 100% / ↑ 0%
System Power	27 W
<b>UGR</b>	X=4H, Y=8H
Reflection factors	70/50/20
UGR C0/C180	25.9
UGR C90/C270	25.9
CIE Flux Codes	85 95 99 100 100
Ra/CRI	>80

LTS

## FLIR 200.2040.15

Flixx 200 Round (FLIRZ 200.25, 1xLED 27W 840/4000K 3030lm 19°)



	C0	C90	C180	C270
0°	4741	4741	4741	4741
15°	983	983	983	983
30°	354	354	354	354
45°	18	18	18	18
60°	20	20	20	20
75°	5	5	5	5
90°	0	0	0	0
cd / 1000 lm				

Offset [m]	Cone width [m]	Illuminance [lx]
3.0	1.00	1596.2
6.0	2.01	399.1
9.0	3.01	177.4
12.0	4.02	99.8
15.0	5.02	63.8

<b>η</b>	LED
Efficiency	113 lm/W
Direct/Indirect	↓ 100% / ↑ 0%
System Power	27 W
<b>UGR</b>	X=4H, Y=8H
Reflection factors	70/50/20
UGR C0/C180	20.1
UGR C90/C270	20.1
CIE Flux Codes	96 98 100 100 100
Ra/CRI	>80

LTS

# FLIR 200.2040.15

## Accessories



**FLIRZ 200.01**  
decorative ring black



**FLIRZ 200.02**  
decorative ring silver



**FLIRZ 200.03**  
decorative ring white



**FLIRZ 200.04**  
light effect ring opal



**FLIRZ 200.05**  
light effect ring clear



**FLIRZ 200.06**  
light effect ring red matt



**FLIRZ 200.07**  
light effect ring yellow matt



**FLIRZ 200.08**  
light effect ring blue matt



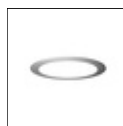
**FLIRZ 200.16**  
light effect ring red translucent



**FLIRZ 200.17**  
light effect ring yellow translucent



**FLIRZ 200.18**  
light effect ring blue translucent



**FLIRZ 200.24**  
decorative glass opal



**FLIRZ 200.25**  
decorative glass clear