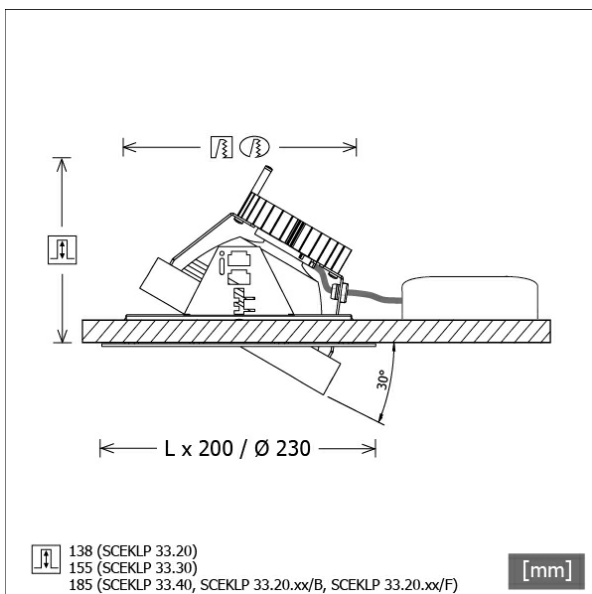


SCEKLP 33.5040.25



Colours	Article no.	EAN
black	655188	4043544639561
silver	655189	4043544639578
white	655190	4043544639585



Description

- flexible recessed spotlight system consisting of recessed frames, light-heads and ballasts (recessed frames to be ordered separately)
- light-head pivots through 30° on gimbals
- outstanding ease of maintenance
- no UV and thermal emissions
- thermal management with passive cooling (heat sink made from aluminium)
- gimbals made from die-cast zinc
- specular aluminium reflector with precise symmetrical beam characteristic for high luminous efficiency and glare-free lighting
- clear safety glass
- tool-free installation into mounting frame via flexible retaining springs
- connection to ballast via luminaire cable with Mini-Clamp connector
- ballast (LED converter) included (external placement)

Standard options



Special options



Lighting data / Norms

Lamps	LED Spot / CRI 80 / 4000 K
EPREL light sources	848105
Lifetime	L90 B50 50.000 h
	L80 B50 100.000 h
	L80 B20 50.000 h
System power	52.0 W
Luminaire luminous flux	5850 lm
System efficiency	112.50 lm/W
Module efficiency	167.61 lm/W
UGR class	≤22
Beam range	Medium Flood
Beam angle	23°
Supply voltage	220 - 240 V / 50 - 60 Hz
Protection class	II
Type of protection	IP20

Dimensions / Weights

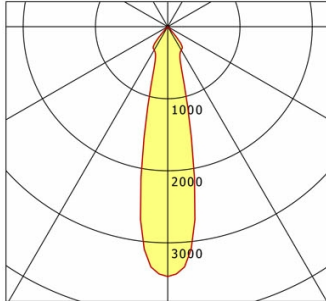
Height	165 mm
Recessed depth	185 mm
Diameter of light head	155 mm
Net weight	1.38 kg
Gross weight	1.43 kg

SCEKLP 33.5040.25

SCEKLP 33.5040.25

Scene 33 System | Light-Head (1xLED 52W 840/4000K 5850lm 25°)

C0/C180 cd / 1000 lm



	C0	C90	C180	C270
0°	3469	3469	3469	3469
15°	966	966	966	966
30°	374	374	374	374
45°	21	21	21	21
60°	5	5	5	5
75°	2	2	2	2
90°	0	0	0	0
cd / 1000 lm				

Offset [m] Cone width [m] Illuminance [lx]

Offset [m]	Cone width [m]	Illuminance [lx]
3.0	1.22	2254.5
6.0	2.44	563.6
9.0	3.65	250.5
12.0	4.87	140.9
15.0	6.09	90.2

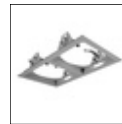
η	LED
Efficiency	113 lm/W
Direct/Indirect	↓ 100% / ↑ 0%
System Power	52 W
UGR	X=4H, Y=8H
Reflection factors	70/50/20
UGR C0/C180	20.7
UGR C90/C270	20.7
CIE Flux Codes	97 100 100 100 100
Ra/CRI	>80

LTS

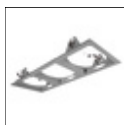
Accessories



SCER 33.100
mounting frame 1-lamp



SCER 33.200
mounting frame 2-lamp



SCER 33.300
mounting frame 3-lamp



SCER 33.400
mounting frame 4-lamp