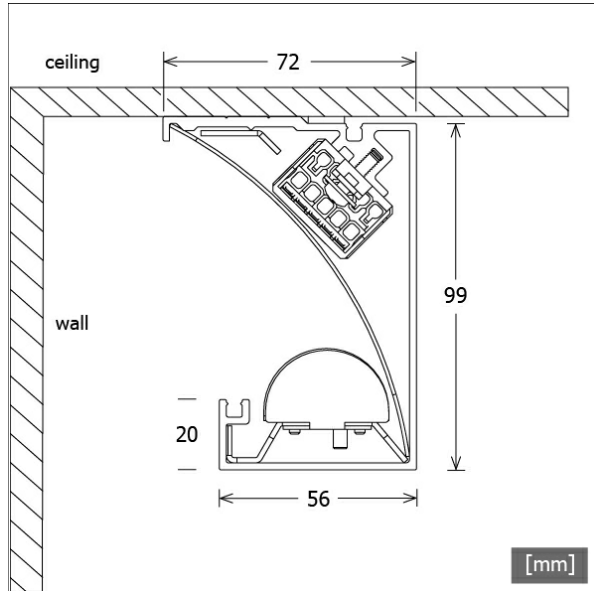


# IDL 70.1030.1500



Colours	Article no.	EAN
black	652433	4043544611505
silver	652434	4043544611512
white	652435	4043544611529



## Description

- single luminaire in fixed length to realise LED continuous-row cove-lights
- indirect illumination with asymmetric light distribution
- outstanding ease of maintenance
- light-insert with diffuser for uniform light
- housing made from aluminium
- end covers made from die-cast zinc (extendable by 40 mm for flush wall ending)
- including compriband for light-tight closing
- removable shielding plate with white reflector foil
- other lengths available on request
- easy screw mounting
- 2 x 5-pole terminal block (pre-fabricated for through-wiring)
- ballast (LED converter) integrated

## Notes

Space for feeding left/right each 150 mm.

## Standard options



## Special options



## Lighting data / Norms

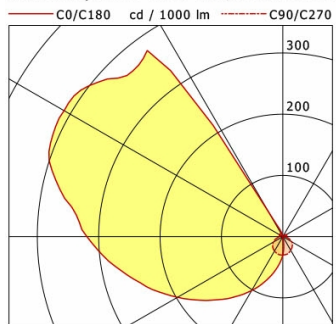
Lamps	LED linear / CRI 80 / 3000 K
EPREL light sources	833877 833872
Lifetime	L90 B50 50.000 h
	L80 B50 100.000 h
	L80 B20 50.000 h
System power	17.0 W
Luminaire luminous flux	1310 lm
System efficiency	77.05 lm/W
Module efficiency	179.94 lm/W
UGR class	≤16
Supply voltage	220 - 240 V / 50 - 60 Hz
Protection class	I
Type of protection	IP20

## Dimensions / Weights

Length	1500 mm
Width	72 mm
Height	99 mm
Net weight	4.18 kg
Gross weight	4.40 kg

# IDL 70.1030.1500

IndiLine (1xLED 17W 830/3000K 1310lm)



	C0	C90	C180	C270
0°	30	30	30	30
30°	0	25	102	27
60°	0	17	198	18
90°	0	1	319	2
120°	0	6	411	6
150°	0	1	47	2
180°	0	0	0	0
cd / 1000 lm				

LDC unsuitable for cone representation.  
Asymmetric LDC.

<b>η</b>	LED
Efficiency	77 lm/W
Direct/Indirect	↓ 39% / ↑ 61%
System Power	17 W
<b>UGR</b>	X=4H, Y=8H
Reflection factors	70/50/20
UGR C0/C180	<10.0
UGR C90/C270	14.9
<b>CIE Flux Codes</b>	15 37 65 39 100
Ra/CRI	>80

LTS