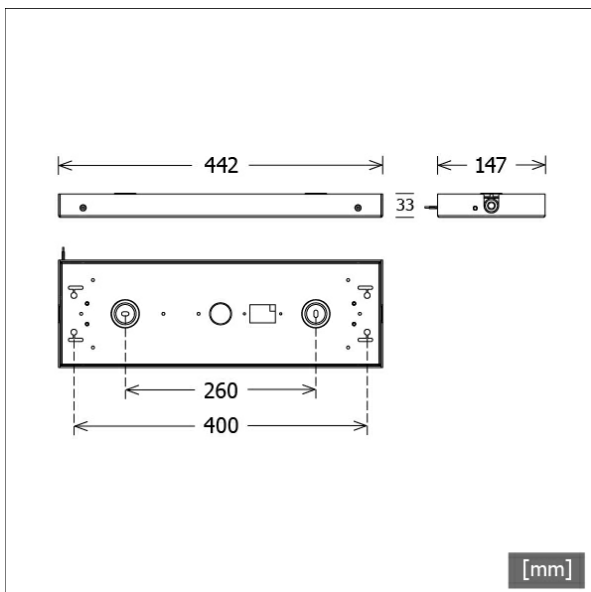


Mounted 48 V

NEO-Z CONV 2X150/CAS



Colours	Article no.	EAN
black	665532	4043544748287
white	665533	4043544748294



Description

- ballast 2x150 W for 48 V systems
- housing made from aluminium
- suitable for through-connection of mains cable (with strain relief and rubber sleeves)
- dimmable DC string constant voltage LED converter
- integrated DALI to DC Powerline communication bridge (PLC)
- one4all interface (corridorFUNCTION, switchDIM, DALI, DSI)
- max. output power: 2x150 W
- nominal lifetime up to 50000 h
- thermal protection according to EN 61347-2-13 C5e
- intelligent Temperature Guard (thermal protection device)
- short-circuit and overload protection
- typ. rated current (at 230 V, 50 Hz, full load): 2x710 mA
- typ. efficiency (at 230 V / 50 Hz / full load): 92.5 %
- output voltage AF ripple (< 120 Hz): ± 2 %
- ambient temperature: -25 ... +50 °C
- wire-rope suspension available as accessories
- ballast with Casambi technology for wireless light control via app or compatible switch
- direct screw mounting on ceiling
- 5-pole terminal block

Lighting data / Norms

Supply voltage	220 - 240 V / 50 - 60 Hz
Protection class	III
Type of protection	IP20

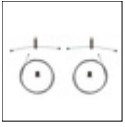
Dimensions / Weights

Length	442 mm
Width	147 mm
Height	33 mm
Net weight	1.71 kg
Gross weight	1.80 kg

Mounted 48 V

NEO-Z CONV 2X150/CAS

Accessories



NEO-Z CONV/S/3000
wire-rope kit
(2 pieces, length: 3000 mm)
