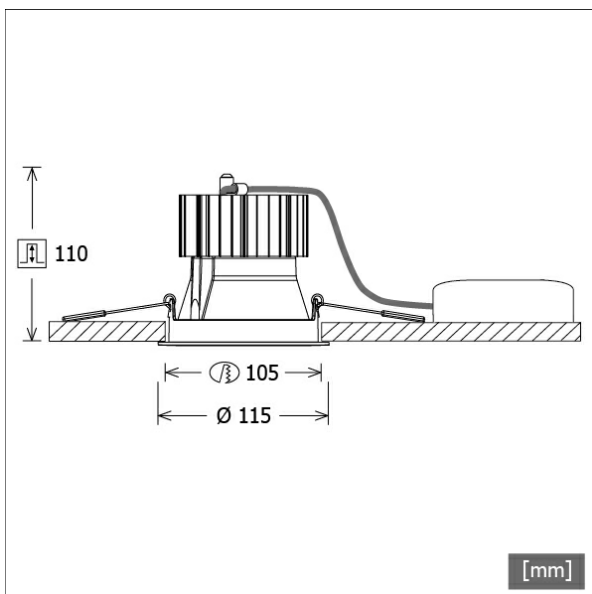


FLIR 200.2030.35



Colours	Article no.	EAN
black	636607	4043544391896
silver	636608	4043544391902
white	636609	4043544391919



Description

- recessed spotlight with optical design variants and wide range of applications
- light-head pivots through 20°
- outstanding ease of maintenance
- no UV and thermal emissions
- thermal management with passive cooling (heat sink made from aluminium)
- high performance specular aluminium reflector with precise symmetrical beam characteristic for highest luminous efficiency and best glare-free lighting
- front/recessed ring made from die-cast zinc with clear light effect ring (other decor/light effect rings and deco glasses are available as options)
- tool-free ceiling mounting via quick-action clamping springs (automatic adjustment of the ceiling thickness)
- luminaire and ballast permanently connected via cable (length: 500 mm), ballast ready for mains connection
- ballast (LED converter) included (external placement)

Standard options



Special options



Lighting data / Norms

Lamps	LED Spot / CRI 80 / 3000 K
EPREL light sources	848117
	L90 B50 50.000 h
	L80 B50 100.000 h
	L80 B20 50.000 h
Lifetime	
System power	27.0 W
Luminaire luminous flux	max. 2950 lm
System efficiency	109.25 lm/W
Module efficiency	156.64 lm/W
UGR class	≤28
Beam range	Flood
Beam angle	36°
Supply voltage	220 - 240 V / 50 - 60 Hz
Protection class	II
Type of protection	IP20

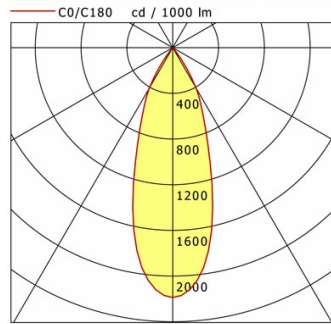
Dimensions / Weights

Outer diameter	115 mm
Height	112 mm
Cut-out (Ø)	105 mm
Ceiling thickness	1.0 - 25.0 mm
Recessed depth	110 mm
Net weight	0.87 kg
Gross weight	0.95 kg

FLIR 200.2030.35

FLIR 200.2030.35

Flixx 200 Round (FLIRZ 200.05, 1xLED 27W 830/3000K 2950lm 36°)



	C0	C90	C180	C270
0°	2188	2188	2188	2188
15°	1344	1344	1344	1344
30°	409	409	409	409
45°	18	18	18	18
60°	14	14	14	14
75°	6	6	6	6
90°	0	0	0	0

cd / 1000 lm

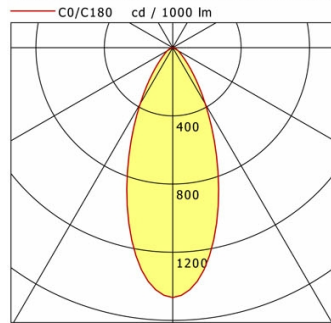
Offset [m]	Cone width [m]	Illuminance [lx]
3.0	1.90	717.2
6.0	3.80	179.3
9.0	5.70	79.7
12.0	7.60	44.8
15.0	9.50	28.7

η	LED
Efficiency	109 lm/W
Direct/Indirect	↓ 100% / ↑ 0%
System Power	27 W
UGR	X=4H, Y=8H
Reflection factors	70/50/20
UGR C0/C180	20.6
UGR C90/C270	20.6
CIE Flux Codes	96 98 100 100 100
Ra/CRI	>80

LTS

FLIR 200.2030.35

Flixx 200 Round (FLIRZ 200.24, 1xLED 27W 830/3000K 2780lm 36°)



	C0	C90	C180	C270
0°	1466	1466	1466	1466
15°	1014	1014	1014	1014
30°	382	382	382	382
45°	104	104	104	104
60°	37	37	37	37
75°	15	15	15	15
90°	0	0	0	0

cd / 1000 lm

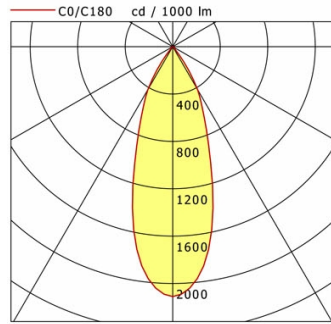
Offset [m]	Cone width [m]	Illuminance [lx]
3.0	2.29	452.8
6.0	4.59	113.2
9.0	6.88	50.3
12.0	9.18	28.3
15.0	11.47	18.1

η	LED
Efficiency	103 lm/W
Direct/Indirect	↓ 100% / ↑ 0%
System Power	27 W
UGR	X=4H, Y=8H
Reflection factors	70/50/20
UGR C0/C180	26.1
UGR C90/C270	26.1
CIE Flux Codes	84 95 99 100 100
Ra/CRI	>80

LTS

FLIR 200.2030.35

Flixx 200 Round (FLIRZ 200.25, 1xLED 27W 830/3000K 2870lm 36°)



	C0	C90	C180	C270
0°	2110	2110	2110	2110
15°	1310	1310	1310	1310
30°	419	419	419	419
45°	21	21	21	21
60°	16	16	16	16
75°	5	5	5	5
90°	0	0	0	0

cd / 1000 lm

Offset [m]	Cone width [m]	Illuminance [lx]
3.0	1.92	672.9
6.0	3.85	168.2
9.0	5.77	74.8
12.0	7.70	42.1
15.0	9.62	26.9

η	LED
Efficiency	107 lm/W
Direct/Indirect	↓ 100% / ↑ 0%
System Power	27 W
UGR	X=4H, Y=8H
Reflection factors	70/50/20
UGR C0/C180	20.7
UGR C90/C270	20.7
CIE Flux Codes	95 98 100 100 100
Ra/CRI	>80

LTS

FLIR 200.2030.35

Accessories



FLIRZ 200.01
decorative ring black



FLIRZ 200.02
decorative ring silver



FLIRZ 200.03
decorative ring white



FLIRZ 200.04
light effect ring opal



FLIRZ 200.05
light effect ring clear



FLIRZ 200.06
light effect ring red matt



FLIRZ 200.07
light effect ring yellow matt



FLIRZ 200.08
light effect ring blue matt



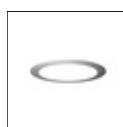
FLIRZ 200.16
light effect ring red translucent



FLIRZ 200.17
light effect ring yellow translucent



FLIRZ 200.18
light effect ring blue translucent



FLIRZ 200.24
decorative glass opal



FLIRZ 200.25
decorative glass clear