

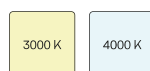
CSALP 50.1027.50/DALI



Description

- recessed spotlight with conical light-head
- suitable for lighting of vertical surfaces
- luminaire rotates through 350° and light-head pivots out through 35°
- outstanding ease of maintenance
- no UV and thermal emissions
- thermal management with passive cooling (heat sink made from aluminium)
- specular aluminium reflector with precise symmetrical beam characteristic for high luminous efficiency and glare-free lighting
- front/recessed ring and light-head made from die-cast zinc
- clear safety glass
- tool-free ceiling mounting via quick-action clamping springs (automatic adjustment of the ceiling thickness)
- luminaire and ballast permanently connected via cable (length: 500 mm), ballast ready for mains connection
- ballast (LED converter DALI, dimmable) included (external placement)

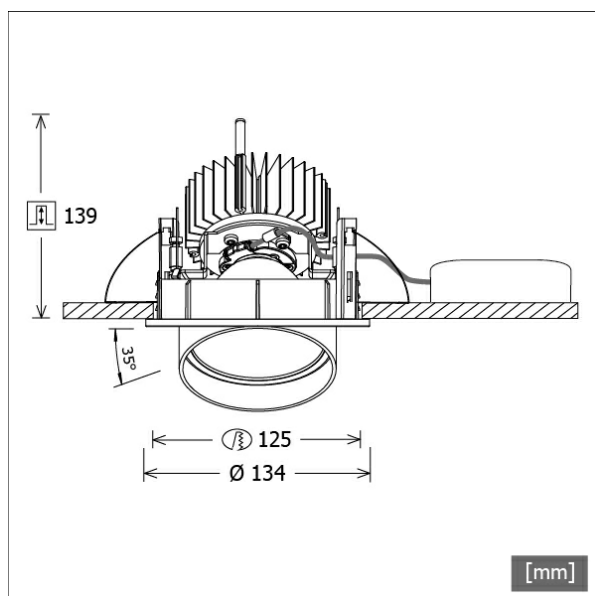
Standard options



Special options



| Colours | Article no. | EAN |
|---------|-------------|---------------|
| black | 643402 | 4043544496089 |
| silver | 643403 | 4043544496096 |
| white | 643404 | 4043544496102 |



Lighting data / Norms

| | |
|--------------------------------|---|
| Lamps | LED Spot / CRI 80 / 2700 K |
| EPREL light sources | 848120 |
| Lifetime | L90 B50 50.000 h L80 B50 100.000 h L80 B20 50.000 h |
| System power | 14.0 W |
| Luminaire luminous flux | 1300 lm |
| System efficiency | 92.85 lm/W |
| Module efficiency | 127.18 lm/W |
| UGR class | ≤19 |
| Beam angle | 50° |
| Supply voltage | 220 - 240 V / 50 - 60 Hz |
| Protection class | II |
| Type of protection | IP20 |

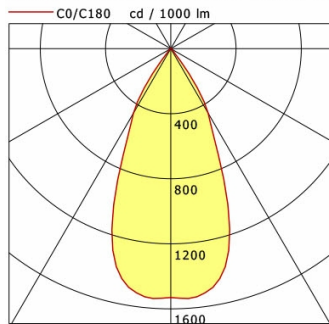
Dimensions / Weights

| | |
|--------------------------|---------------|
| Outer diameter | 134 mm |
| Height | 144 mm |
| Cut-out (Ø) | 125 mm |
| Ceiling thickness | 1.0 - 25.0 mm |
| Recessed depth | 139 mm |
| Net weight | 1.21 kg |
| Gross weight | 1.30 kg |



CSALP 50.1027.50/DALI

CSA 50 (1xLED 14W 827/2700K 1300lm 50 °)



| | C0 | C90 | C180 | C270 |
|-----|------|------|------|------|
| 0° | 1530 | 1530 | 1530 | 1530 |
| 15° | 1339 | 1339 | 1339 | 1339 |
| 30° | 457 | 457 | 457 | 457 |
| 45° | 18 | 18 | 18 | 18 |
| 60° | 6 | 6 | 6 | 6 |
| 75° | 5 | 5 | 5 | 5 |
| 90° | 0 | 0 | 0 | 0 |

cd / 1000 lm

| Offset [m] | Cone width [m] | Illuminance [lx] |
|------------|----------------|------------------|
| 3.0 | 2.59 | 221.0 |
| 6.0 | 5.19 | 55.3 |
| 9.0 | 7.78 | 24.6 |
| 12.0 | 10.38 | 13.8 |
| 15.0 | 12.97 | 8.8 |

C0-C180 Plane

| | |
|--------------------|-------------------|
| η | LED |
| Efficiency | 93 lm/W |
| Direct/Indirect | ↓ 100% / ↑ 0% |
| System Power | 14 W |
| UGR | X=4H, Y=8H |
| Reflection factors | 70/50/20 |
| UGR C0/C180 | 18.2 |
| UGR C90/C270 | 18.2 |
| CIE Flux Codes | 97 99 100 100 100 |
| Ra/CRI | >80 |

LTS

Accessories



ZB-OR DONGLE
Organic Response IR dongle kit



ZB-OR GATEWAY
Organic Response IoT Gateway Cascade Series



ZB-OR-R SENSOR
Organic Response sensor for recessed mounting



ZDAR 125.145-205
compensation ring for ceiling cut-outs from 145 to 205 mm