

Pendant 48 V

# NEO-ORYO-P 101.927.45/DALI



## Description

- filigree pendant luminaire with slightly conical light-head for 48 V track system
- outstanding ease of maintenance
- no UV and thermal emissions
- anti-glare shield and decorative anti-glare ring available as accessories
- light-head made from die-cast aluminium
- innovative thermal management with design-integrated passive cooling
- high performance specular aluminium reflector with precise symmetrical beam characteristic for high luminous efficiency and glare-free lighting
- black internal thermoplastic front ring
- black connecting cable (length: 1000 mm, other cable lengths on request)
- clear acrylic safety glass
- 48 V track adapter with integrated DALI ballast

## Standard options



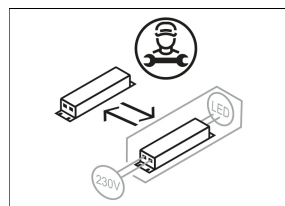
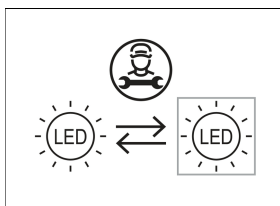
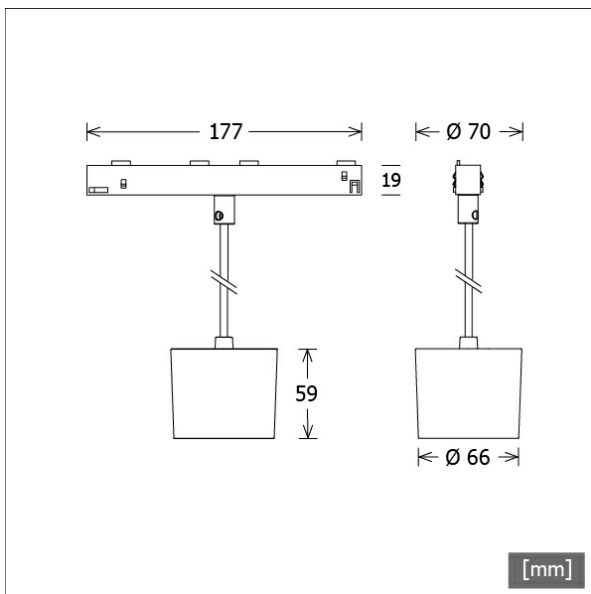
Colours	Article no.	EAN
black	652387	4043544611048
white	652388	4043544611055

## Lighting data / Norms

Lamps	LED Spot / CRI 90 / 2700 K
EPREL light sources	970823
Lifetime	L90 B50 50.000 h L80 B50 100.000 h L80 B20 50.000 h
System power	20.5 W
Luminaire luminous flux	1650 lm
System efficiency	80.48 lm/W
Module efficiency	128.62 lm/W
UGR class	≤22
Beam range	Wide Flood
Beam angle	46°
Protection class	II
Type of protection	IP20

## Dimensions / Weights

Outer diameter	66 mm
Height	59 mm
Diameter of light head	66 mm
Net weight	0.52 kg
Gross weight	0.62 kg

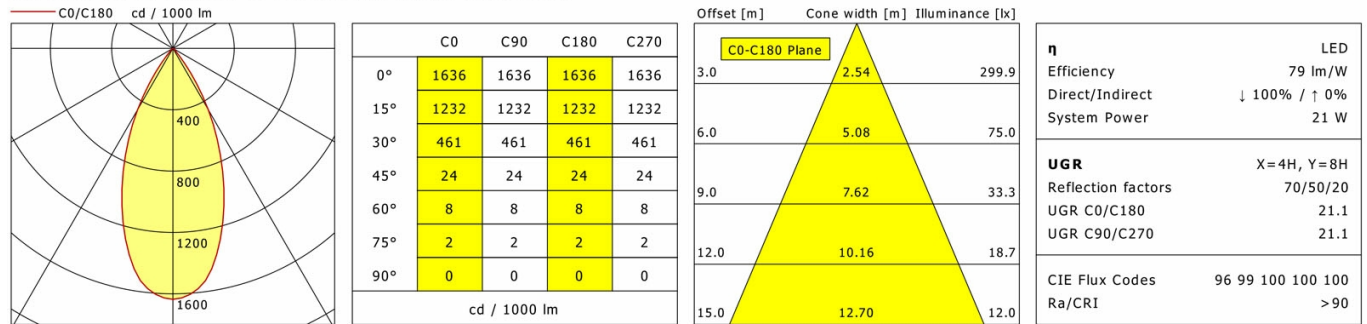


Pendant 48 V

# NEO-ORYO-P 101.927.45/DALI

## NEO-ORYO-P 101.927.45/DALI

NeoORYO 100 | Pendant | 48 V (1xLED 21W 927/2700K 1650lm)



LTS

### Accessories

	<b>NEO-A 10/9500-1/ST6-E</b> 48 V surface-mounted track NeoLine with data bus (length: 1000 mm)		<b>NEO-A 20/9500-2/ST6-E</b> 48 V surface-mounted track NeoLine with data bus (length: 2000 mm)
	<b>NEO-A 30/9500-3/ST6-E</b> 48 V surface-mounted track NeoLine with data bus (length: 3000 mm)		<b>NEO-Z CONV 1X150</b> power supply for 48 V systems 1x150 W
	<b>NEO-Z CONV 1X150/CAS</b> power supply for 48 V systems 1x150 W with Casambi technology for wireless light control		<b>NEO-Z CONV 2X150</b> power supply for 48 V systems 2x150 W
	<b>NEO-Z CONV 2X150/CAS</b> power supply for 48 V systems 2x150 W with Casambi technology for wireless light control		<b>ZB-AGS 001</b> anti-glare shield
	<b>ZB-DAR 001</b> decorative anti-glare ring		<b>ZBW 88</b> honeycomb louvre