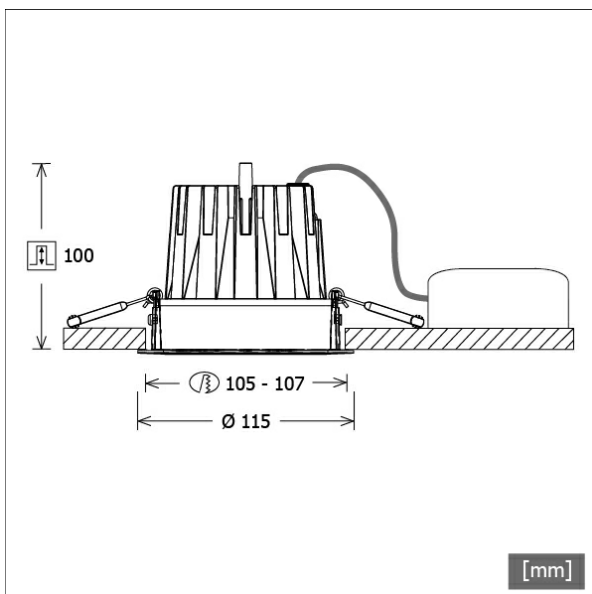


# CSA-R 403.940.SP/DALI



Colours	Article no.	EAN
silver	668156	4043544798152
black	668157	4043544798169
white	668158	4043544798176



## Description

- recessed downlight with wide range of applications
- outstanding ease of maintenance
- no UV and thermal emissions
- innovative thermal management with passive cooling (heat sink made from die-cast aluminium)
- specular aluminium reflector with precise symmetrical beam characteristic for high luminous efficiency and glare-free lighting
- front ring made from die-cast aluminium with filigree black polycarbonate inner ring for additional glare control
- tool-free ceiling mounting via quick-action clamping springs (automatic adjustment of the ceiling thickness)
- luminaire and ballast permanently connected via cable (length: 500 mm), ballast ready for mains connection
- ballast (LED converter DALI, dimmable) included (external placement)

## Standard options



## Special options



## Lighting data / Norms

Lamps	LED Spot / CRI 90 / 4000 K
EPREL light sources	1115635
Lifetime	L90 B50 50.000 h L80 B50 100.000 h L80 B20 50.000 h
System power	27.1 W
Luminaire luminous flux	3380 lm
System efficiency	124.72 lm/W
Module efficiency	139.54 lm/W
UGR class	≤19
Beam range	Spot
Beam angle	16°
Supply voltage	220 - 240 V / 50 - 60 Hz
Protection class	II
Type of protection	IP20

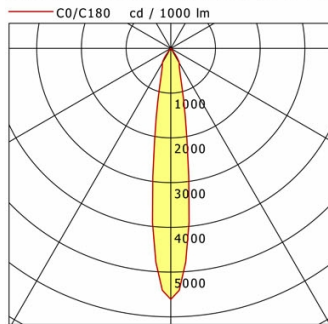
## Dimensions / Weights

Outer diameter	115 mm
Height	102 mm
Cut-out (Ø)	105 - 107 mm
Ceiling thickness	3.0 - 26.0 mm
Recessed depth	100 mm
Net weight	0.48 kg
Gross weight	0.54 kg

# CSA-R 403.940.SP/DALI

## CSA-R 403.940.SP/DALI

CSA 40 Generation 2 (1xLED 27W 940/4000K 3380lm 16°)



	C0	C90	C180	C270
0°	5609	5609	5609	5609
15°	1039	1039	1039	1039
30°	372	372	372	372
45°	11	11	11	11
60°	9	9	9	9
75°	1	1	1	1
90°	0	0	0	0
cd / 1000 lm				

Offset [m]	Cone width [m]	Illuminance [lx]
3.0	0.87	2106.4
6.0	1.74	526.6
9.0	2.61	234.0
12.0	3.48	131.6
15.0	4.35	84.3

<b>η</b>	LED
Efficiency	126 lm/W
Direct/Indirect	↓ 100% / ↑ 0%
System Power	27 W
<b>UGR</b>	X=4H, Y=8H
Reflection factors	70/50/20
UGR C0/C180	19.4
UGR C90/C270	19.4
CIE Flux Codes	98 100 100 100 100
Ra/CRI	>90

LTS

## Accessories



**ZB-OR DONGLE**  
Organic Response IR dongle kit



**ZB-OR GATEWAY**  
Organic Response IoT Gateway Cascade Series



**ZB-OR-R SENSOR**  
Organic Response sensor for recessed mounting