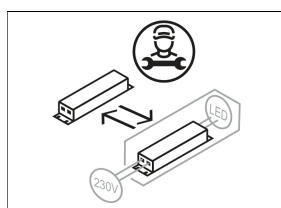
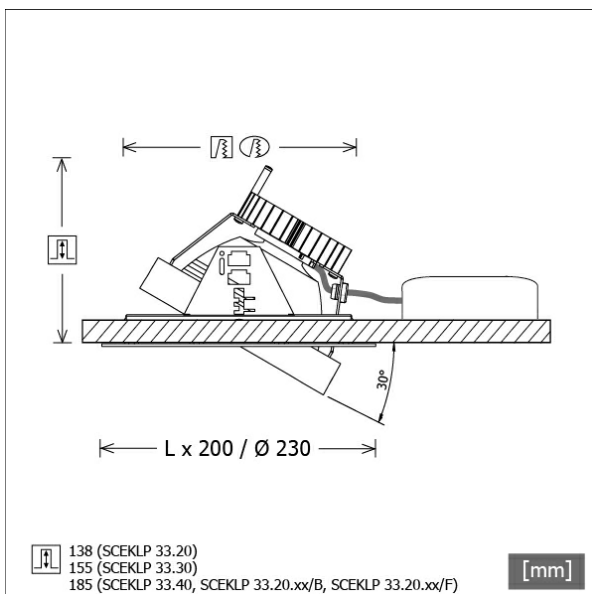


SCEKLP 33.2040.35/DALI



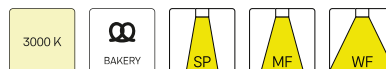
Colours	Article no.	EAN
black	643762	4043544499684
silver	643763	4043544499691
white	643764	4043544499707



Description

- flexible recessed spotlight system consisting of recessed frames, light-heads and ballasts (recessed frames to be ordered separately)
- light-head pivots through 30° on gimbals
- outstanding ease of maintenance
- no UV and thermal emissions
- thermal management with passive cooling (heat sink made from aluminium)
- gimbals made from die-cast zinc
- specular aluminium reflector with precise symmetrical beam characteristic for high luminous efficiency and glare-free lighting
- clear safety glass
- tool-free installation into mounting frame via flexible retaining springs
- connection to ballast via luminaire cable with Mini-Clamp connector
- ballast (LED converter DALI, dimmable) included (external placement)

Standard options



Special options



Lighting data / Norms

Lamps	LED Spot / CRI 80 / 4000 K
EPREL light sources	848119
Lifetime	L90 B50 50.000 h
	L80 B50 100.000 h
	L80 B20 50.000 h
System power	25.8 W
Luminaire luminous flux	2780 lm
System efficiency	107.75 lm/W
Module efficiency	160.37 lm/W
UGR class	≤19
Beam range	Flood
Beam angle	30°
Supply voltage	220 - 240 V / 50 - 60 Hz
Protection class	III
Type of protection	IP20

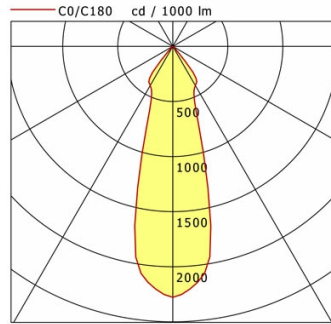
Dimensions / Weights

Height	140 mm
Recessed depth	138 mm
Diameter of light head	155 mm
Net weight	1.16 kg
Gross weight	1.29 kg

SCEKLP 33.2040.35/DALI

SCEKLP 33.2040.35/DALI

Scene 33 System | Light-Head (1xLED 26W 840/4000K 2780lm 35°)



	C0	C90	C180	C270
0°	2278	2278	2278	2278
15°	1159	1159	1159	1159
30°	411	411	411	411
45°	24	24	24	24
60°	5	5	5	5
75°	2	2	2	2
90°	0	0	0	0
cd / 1000 lm				

Offset [m]	Cone width [m]	Illuminance [lx]
3.0	1.62	703.6
6.0	3.25	175.9
9.0	4.87	78.2
12.0	6.50	44.0
15.0	8.12	28.1

η	LED
Efficiency	107 lm/W
Direct/Indirect	↓ 100% / ↑ 0%
System Power	26 W
UGR	X=4H, Y=8H
Reflection factors	70/50/20
UGR C0/C180	18.5
UGR C90/C270	18.5
CIE Flux Codes	97 99 100 100 100
Ra/CRI	>80

LTS

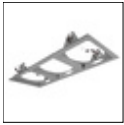
Accessories



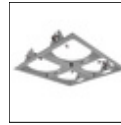
SCER 33.100
mounting frame 1-lamp



SCER 33.200
mounting frame 2-lamp



SCER 33.300
mounting frame 3-lamp



SCER 33.400
mounting frame 4-lamp



ZB-OR DONGLE
Organic Response IR dongle kit



ZB-OR GATEWAY
Organic Response IoT Gateway Cascade Series



ZB-OR-R SENSOR
Organic Response sensor for recessed mounting