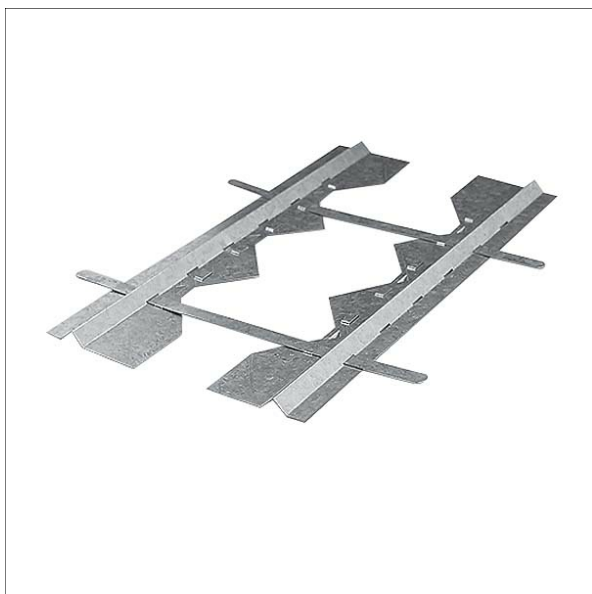




ZVP 100



Description

- universal reinforcement frame (two parts) for module 625 x 625
- material: hot-dip galvanized sheet steel
- adjustment range: width 225 - 460 mm, length: 95 - 395 mm

Dimensions / Weights

Length	615 mm
Net weight	0.70 kg
Gross weight	0.76 kg

Colours	Article no.	EAN
	607620	4043544071606

