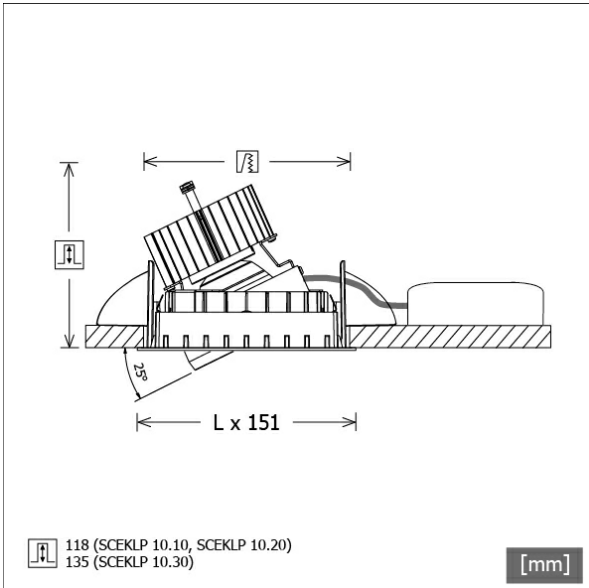


SCEKLP 10.2040.50/DALI



| Colours | Article no. | EAN |
|---------|-------------|---------------|
| black | 644077 | 4043544503046 |
| silver | 644078 | 4043544503053 |
| white | 644079 | 4043544503060 |



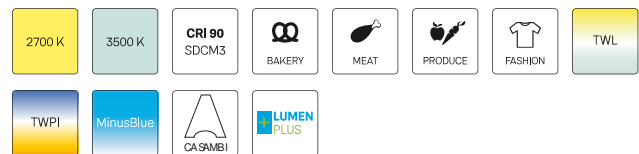
Description

- flexible recessed spotlight system consisting of recessed frames, light-heads and ballasts (recessed frames to be ordered separately)
- adjustable ceiling look: flush with ceiling or recessed by 6 mm
- light-head rotates through 350° and pivots through 25°
- outstanding ease of maintenance
- no UV and thermal emissions
- light-head consisting of front frame (die-cast magnesium) and front ring (die-cast zinc)
- thermal management with passive cooling (heat sink made from aluminium)
- specular aluminium reflector with precise symmetrical beam characteristic for high luminous efficiency and glare-free lighting
- light-head snaps into mounting frame without tools
- connection to ballast via luminaire cable with Mini-Clamp connector
- ballast (LED converter DALI, dimmable) included (external placement)

Standard options



Special options



Lighting data / Norms

| | |
|-------------------------|----------------------------|
| Lamps | LED Spot / CRI 80 / 4000 K |
| EPREL light sources | 848119 |
| Lifetime | L90 B50 50.000 h |
| | L80 B50 100.000 h |
| | L80 B20 50.000 h |
| System power | 25.8 W |
| Luminaire luminous flux | 2790 lm |
| System efficiency | 108.13 lm/W |
| Module efficiency | 160.37 lm/W |
| UGR class | ≤22 |
| Beam range | Wide Flood |
| Beam angle | 46° |
| Supply voltage | 220 - 240 V / 50 - 60 Hz |
| Protection class | III |
| Type of protection | IP20 |

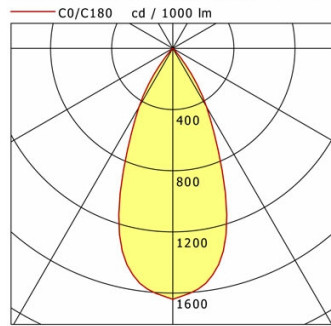
Dimensions / Weights

| | |
|------------------------|---------|
| Length | 125 mm |
| Width | 125 mm |
| Height | 121 mm |
| Recessed depth | 118 mm |
| Diameter of light head | 100 mm |
| Net weight | 0.91 kg |
| Gross weight | 0.96 kg |

SCEKLP 10.2040.50/DALI

SCEKLP 10.2040.50/DALI

Scene 1 System | Light-Head (1xLED 26W 840/4000K 2790lm)



| | C0 | C90 | C180 | C270 |
|-----|------|------|------|------|
| 0° | 1641 | 1641 | 1641 | 1641 |
| 15° | 1320 | 1320 | 1320 | 1320 |
| 30° | 443 | 443 | 443 | 443 |
| 45° | 10 | 10 | 10 | 10 |
| 60° | 4 | 4 | 4 | 4 |
| 75° | 4 | 4 | 4 | 4 |
| 90° | 0 | 0 | 0 | 0 |

cd / 1000 lm

| Offset [m] | Cone width [m] | Illuminance [lx] |
|------------|----------------|------------------|
| 3.0 | 2.50 | 508.7 |
| 6.0 | 5.01 | 127.2 |
| 9.0 | 7.51 | 56.5 |
| 12.0 | 10.02 | 31.8 |
| 15.0 | 12.52 | 20.3 |

| | |
|--------------------|-------------------|
| η | LED |
| Efficiency | 107 lm/W |
| Direct/Indirect | ↓ 100% / ↑ 0% |
| System Power | 26 W |
| UGR | X=4H, Y=8H |
| Reflection factors | 70/50/20 |
| UGR C0/C180 | 20.1 |
| UGR C90/C270 | 20.1 |
| CIE Flux Codes | 98 99 100 100 100 |
| Ra/CRI | >80 |

LTS

Accessories



SCER 1.100
mounting frame 1-lamp



SCER 1.200
mounting frame 2-lamp



SCER 1.300
mounting frame 3-lamp



ZB-OR DONGLE
Organic Response IR dongle kit



ZB-OR GATEWAY
Organic Response IoT Gateway Cascade Series



ZB-OR-R SENSOR
Organic Response sensor for recessed mounting