

# CSALP 62.20.50/F



| Colours | Article no. | EAN           |
|---------|-------------|---------------|
| silver  | 641419      | 4043544436504 |
| white   | 641420      | 4043544436511 |
| black   | 641418      | 4043544436498 |

## Description

- recessed spotlight for special lighting of meat and sausage products
- luminaire rotates through 350° and pivots through 40°
- outstanding ease of maintenance
- no UV and thermal emissions
- thermal management with passive cooling (heat sink made from aluminium)
- specular aluminium reflector with precise symmetrical beam characteristic for high luminous efficiency and glare-free lighting
- front rings and recessed ring made from die-cast zinc
- clear safety glass
- tool-free ceiling mounting via quick-action clamping springs (automatic adjustment of the ceiling thickness)
- connection to ballast via luminaire cable with Mini-Clamp connector
- ballast (LED converter) included (external placement)

## Standard options



## Special options

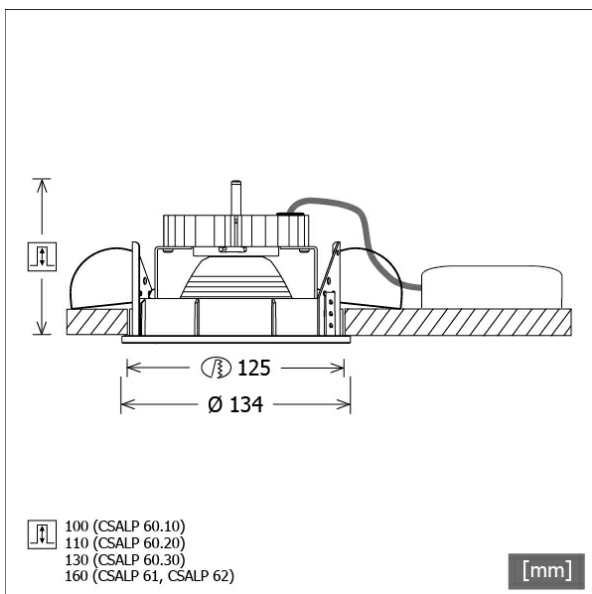


## Lighting data / Norms

|                         |   |
|-------------------------|---|
| Lamps                   | LED Spot Meat   |
| Lifetime                | L90 B50 50.000 h<br>L80 B50 100.000 h<br>L80 B20 50.000 h |
| System power            | 40.4 W  |
| Luminaire luminous flux | 2030 lm   |
| System efficiency       | 50.24 lm/W  |
| Module efficiency       | 76.00 lm/W  |
| UGR class               | ≤19   |
| Beam angle              | 50°   |
| Supply voltage          | 220 - 240 V / 50 - 60 Hz                                  |
| Protection class        | III   |
| Type of protection      | IP20  |

## Dimensions / Weights

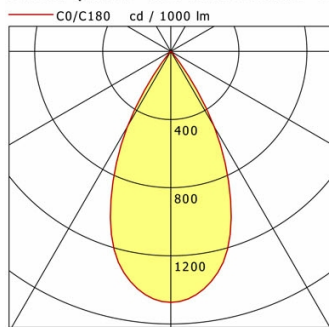
|                   |               |
|-------------------|---------------|
| Outer diameter    | 134 mm        |
| Height            | 149 mm        |
| Cut-out (Ø)       | 125 mm        |
| Ceiling thickness | 1.0 - 25.0 mm |
| Recessed depth    | 160 mm        |
| Net weight        | 1.31 kg       |
| Gross weight      | 1.37 kg       |



# CSALP 62.20.50/F

## CSALP 62.20.50/F

CSA 60 (1xLED 40W MEAT 2030lm 50°)



|              | C0   | C90  | C180 | C270 |
|--------------|------|------|------|------|
| 0°           | 1473 | 1473 | 1473 | 1473 |
| 15°          | 1244 | 1244 | 1244 | 1244 |
| 30°          | 510  | 510  | 510  | 510  |
| 45°          | 10   | 10   | 10   | 10   |
| 60°          | 4    | 4    | 4    | 4    |
| 75°          | 3    | 3    | 3    | 3    |
| 90°          | 0    | 0    | 0    | 0    |
| cd / 1000 lm |      |      |      |      |

| Offset [m]    | Cone width [m] | Illuminance [lx] |
|---------------|----------------|------------------|
| C0-C180 Plane |                |                  |
| 3.0           | 2.91           | 332.3            |
| 6.0           | 5.81           | 83.1             |
| 9.0           | 8.72           | 36.9             |
| 12.0          | 11.63          | 20.8             |
| 15.0          | 14.54          | 13.3             |

|                    |                   |
|--------------------|-------------------|
| <b>η</b>           | LED               |
| Efficiency         | 51 lm/W           |
| Direct/Indirect    | ↓ 100% / ↑ 0%     |
| System Power       | 40 W              |
| <b>UGR</b>         | X=4H, Y=8H        |
| Reflection factors | 70/50/20          |
| UGR C0/C180        | 18.7              |
| UGR C90/C270       | 18.7              |
| CIE Flux Codes     | 98 99 100 100 100 |
| Ra/CRI             | ---               |

LTS

## Accessories



**ZDAR 125.145-205**  
compensation ring for ceiling cut-outs from 145 to 205 mm