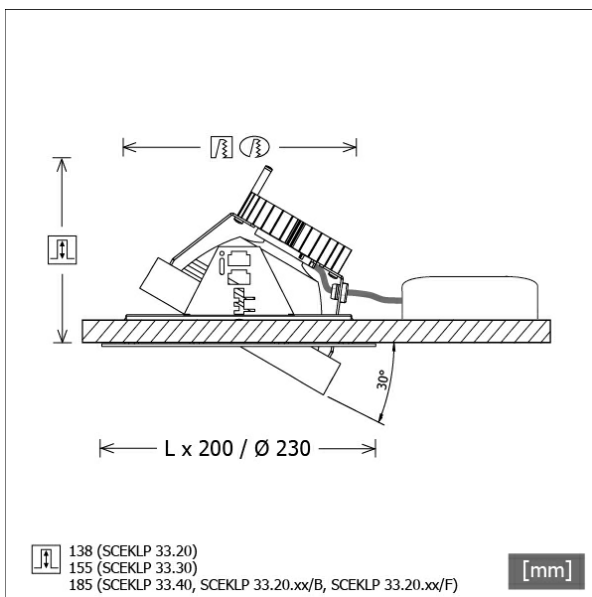


SCEKLP 33.2030.55



Colours	Article no.	EAN
white	619210	4043544406163
black	619211	4043544406149
silver	619231	4043544406156



Description

- flexible recessed spotlight system consisting of recessed frames, light-heads and ballasts (recessed frames to be ordered separately)
- light-head pivots through 30° on gimbals
- outstanding ease of maintenance
- no UV and thermal emissions
- thermal management with passive cooling (heat sink made from aluminium)
- gimbals made from die-cast zinc
- specular aluminium reflector with precise symmetrical beam characteristic for high luminous efficiency and glare-free lighting
- clear safety glass
- tool-free installation into mounting frame via flexible retaining springs
- connection to ballast via luminaire cable with Mini-Clamp connector
- ballast (LED converter) included (external placement)

Standard options



Special options

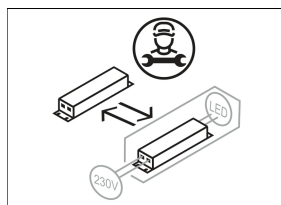


Lighting data / Norms

Lamps	LED Spot / CRI 80 / 3000 K
EPREL light sources	848117
Lifetime	L90 B50 50.000 h
	L80 B50 100.000 h
	L80 B20 50.000 h
System power	25.8 W
Luminaire luminous flux	2750 lm
System efficiency	106.58 lm/W
Module efficiency	156.64 lm/W
UGR class	≤19
Beam range	Wide Flood
Beam angle	57°
Supply voltage	220 - 240 V / 50 - 60 Hz
Protection class	III
Type of protection	IP20

Dimensions / Weights

Height	140 mm
Recessed depth	138 mm
Diameter of light head	155 mm
Net weight	1.10 kg
Gross weight	1.16 kg

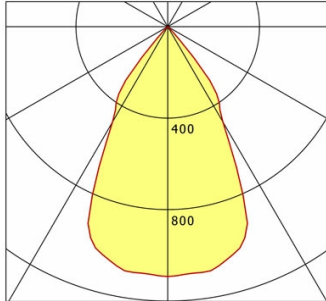


SCEKLP 33.2030.55

SCEKLP 33.2030.55

Scene 33 System | Light-Head (1xLED 26W 830/3000K 2750lm 55°)

— C0/C180 cd / 1000 lm



	C0	C90	C180	C270
0°	1093	1093	1093	1093
15°	1044	1044	1044	1044
30°	481	481	481	481
45°	20	20	20	20
60°	2	2	2	2
75°	2	2	2	2
90°	0	0	0	0
cd / 1000 lm				

Offset [m]	Cone width [m]	Illuminance [lx]
C0-C180 Plane		
3.0	3.27	333.9
6.0	6.53	83.5
9.0	9.80	37.1
12.0	13.06	20.9
15.0	16.33	13.4

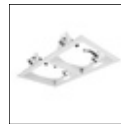
η	LED
Efficiency	106 lm/W
Direct/Indirect	↓ 100% / ↑ 0%
System Power	26 W
UGR	X=4H, Y=8H
Reflection factors	70/50/20
UGR C0/C180	18.7
UGR C90/C270	18.7
CIE Flux Codes	97 99 100 100 100
Ra/CRI	>80

LTS

Accessories



SCER 33.100
mounting frame 1-lamp



SCER 33.200
mounting frame 2-lamp



SCER 33.300
mounting frame 3-lamp



SCER 33.400
mounting frame 4-lamp