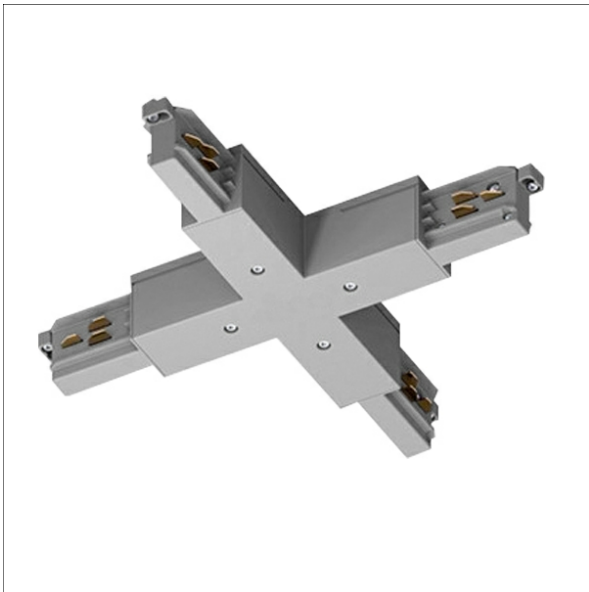


# ST-A X/9017



## Description

- x-connector with feed-in
- material: polycarbonate
- copper alloy contacts
- max. electrical load: AC mains power supply 3.6 kVA, 3-phase network 3 x 3.6 kVA = 10.8 kVA
- rated current and voltage: 16 A / 440 V (1 A / 50 V AC FELV)
- tool-free snap-in fixing
- terminals with screws

## Dimensions / Weights

Length	148 mm
Width	32 mm
Height	38 mm
Net weight	0.38 kg
Gross weight	0.40 kg

Colours	Article no.	EAN
black	660295	4043544691156
white	660296	4043544691163
grey	660297	4043544691170

