

# LK-P 045.5-1 APB/...



## Description

- light trunking system (made-to-measure) for recessed mounting with gap into fairfaced concrete flush with ceiling
- high-quality extruded aluminium profile for fixing into concrete recessed housing
- concrete recessed housing, light-inserts and (necessary) accessories to be ordered separately
- prismatic flush acrylic glass diffuser made from PMMA with tool-free snap-in technology
- quick-mounting into concrete recessed housing via turning bolts

## Notes

Not suitable in combination with light-inserts LK-CH 045... For luminaires with only "1 light insert", always add "+5 mm" for end cover. Required space for mounting of concrete recessed housing on formwork circumferentially 20 mm. The linear thermal expansion of the aluminium profile is about 0.3 mm per meter at  $dT = 10$  Kelvin. IP40 only applies in combination with mounted acrylic glass diffuser.

## Lighting data / Norms

Type of protection IP40

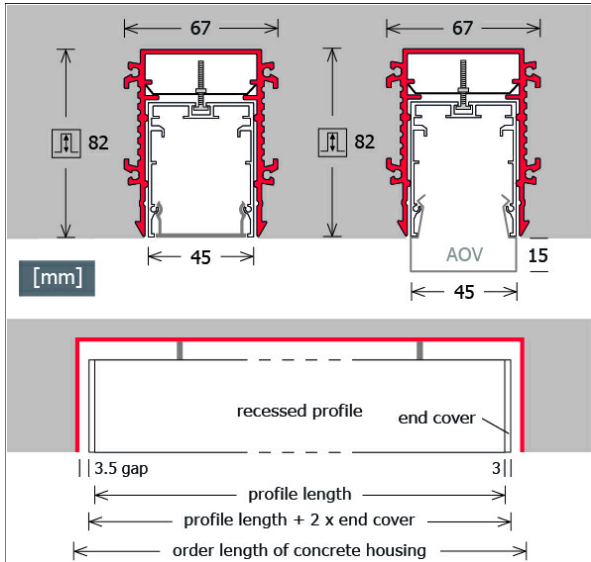
## Dimensions / Weights

Width 45 mm  
 Height 60 mm  
 Net weight 1.30 kg  
 Gross weight 1.40 kg

## Special dimensions

order length of concrete housing = length of empty profile + (2 x 3 mm thickness of end covers) + (2 x 3.5 mm gap) = length of empty profile + 13 mm

| Colours         | Article no. | EAN           |
|-----------------|-------------|---------------|
| silver anodised | 669290      | 4043544809674 |
| black           | 669291      | 4043544809681 |
| white           | 669292      | 4043544809698 |



## LK-P 045.5-1 APB/...

### Accessories



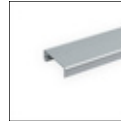
**LK-Z045 AOB-K-001**  
concealing unit for acrylic glass flush



**LK-Z045 AOB/...**  
opal acrylic glass flush as replacement  
(length made-to-measure)



**LK-Z045 APB/...**  
prismatic acrylic glass flush as replacement  
(length made-to-measure)



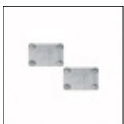
**LK-Z045 BA/...**  
blind cover  
(length made-to-measure)



**LK-Z045 SENSOR/OR**  
Organic Response sensor (DALI PS3) for Lichtkanal 045



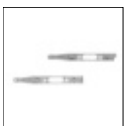
**LK-Z045.005.1 BT/...**  
concrete recessed housing trimless  
(length made-to-measure)



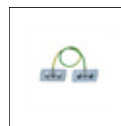
**LK-Z045.005.20**  
connector kit for concrete housing



**LK-Z045.1**  
end covers  
(2 pieces)



**LK-Z045.102.00**  
connector kit linear



**LK-Z045.111**  
earthing set

## LK-P 045.5-1 APB/...

### Light inserts



| Name                       | Description                       |
|----------------------------|-----------------------------------|
| LK-L 045.10830.0705.1/DALI | 3000 K, 705 mm, 10.2 W , 1440 lm  |
| LK-L 045.10840.0705.1/DALI | 4000 K, 705 mm, 10.2 W , 1530 lm  |
| LK-L 045.10830.0845.1/DALI | 3000 K, 845 mm, 12.3 W , 1680 lm  |
| LK-L 045.10840.0845.1/DALI | 4000 K, 845 mm, 12.3 W , 1780 lm  |
| LK-L 045.10830.0985.1/DALI | 3000 K, 985 mm, 14.3 W , 2020 lm  |
| LK-L 045.10840.0985.1/DALI | 4000 K, 985 mm, 14.3 W , 2140 lm  |
| LK-L 045.10830.1125.1/DALI | 3000 K, 1125 mm, 16.4 W , 2180 lm |
| LK-L 045.10840.1125.1/DALI | 4000 K, 1125 mm, 16.4 W , 2310 lm |
| LK-L 045.10830.1405.1/DALI | 3000 K, 1405 mm, 20.5 W , 2720 lm |
| LK-L 045.10840.1405.1/DALI | 4000 K, 1405 mm, 20.5 W , 2880 lm |
| LK-L 045.10830.1685.1/DALI | 3000 K, 1685 mm, 24.5 W , 3260 lm |
| LK-L 045.10840.1685.1/DALI | 4000 K, 1685 mm, 24.5 W , 3460 lm |

| Name                       | Description                       |
|----------------------------|-----------------------------------|
| LK-L 045.11830.0705.1/DALI | 3000 K, 705 mm, 15.8 W , 2220 lm  |
| LK-L 045.11840.0705.1/DALI | 4000 K, 705 mm, 15.8 W , 2340 lm  |
| LK-L 045.11830.0845.1/DALI | 3000 K, 845 mm, 18.9 W , 2540 lm  |
| LK-L 045.11840.0845.1/DALI | 4000 K, 845 mm, 18.9 W , 2690 lm  |
| LK-L 045.11830.0985.1/DALI | 3000 K, 985 mm, 22.1 W , 3100 lm  |
| LK-L 045.11840.0985.1/DALI | 4000 K, 985 mm, 22.1 W , 3280 lm  |
| LK-L 045.11830.1125.1/DALI | 3000 K, 1125 mm, 25.2 W , 3340 lm |
| LK-L 045.11840.1125.1/DALI | 4000 K, 1125 mm, 25.2 W , 3540 lm |
| LK-L 045.11830.1405.1/DALI | 3000 K, 1405 mm, 31.5 W , 4180 lm |
| LK-L 045.11840.1405.1/DALI | 4000 K, 1405 mm, 31.5 W , 4430 lm |
| LK-L 045.11830.1685.1/DALI | 3000 K, 1685 mm, 37.8 W , 5020 lm |
| LK-L 045.11840.1685.1/DALI | 4000 K, 1685 mm, 37.8 W , 5320 lm |