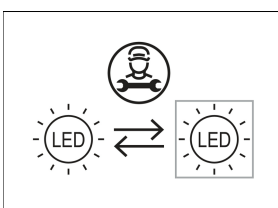
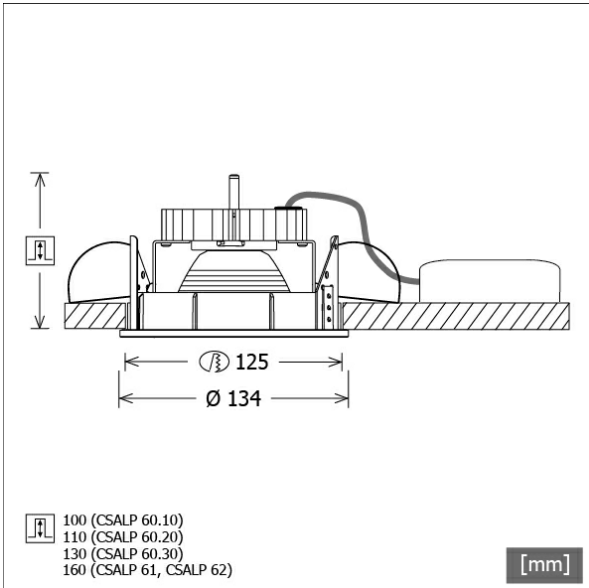


CSALP 60.2027.15



| Colours | Article no. | EAN |
|---------|-------------|---------------|
| black | 632933 | 4043544401915 |
| silver | 634640 | 4043544368140 |
| white | 634641 | 4043544368157 |



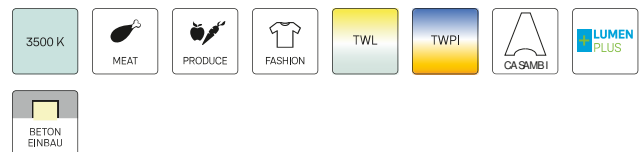
Description

- recessed spotlight with wide range of applications
- luminaire rotates through 350° and pivots through 40°
- outstanding ease of maintenance
- no UV and thermal emissions
- thermal management with passive cooling (heat sink made from aluminium)
- specular aluminium reflector with precise symmetrical beam characteristic for high luminous efficiency and glare-free lighting
- front rings and recessed ring made from die-cast zinc
- tool-free ceiling mounting via quick-action clamping springs (automatic adjustment of the ceiling thickness)
- luminaire and ballast permanently connected via cable (length: 500 mm), ballast ready for mains connection
- ballast (LED converter) included (external placement)

Standard options



Special options



Lighting data / Norms

| | |
|--------------------------------|----------------------------|
| Lamps | LED Spot / CRI 80 / 2700 K |
| EPREL light sources | 848120 |
| | L90 B50 50.000 h |
| | L80 B50 100.000 h |
| | L80 B20 50.000 h |
| Lifetime | |
| System power | 27.0 W |
| Luminaire luminous flux | 2610 lm |
| System efficiency | 96.66 lm/W |
| Module efficiency | 127.18 lm/W |
| UGR class | ≤19 |
| Beam angle | 15° |
| Supply voltage | 220 - 240 V / 50 - 60 Hz |
| Protection class | II |
| Type of protection | IP20 |

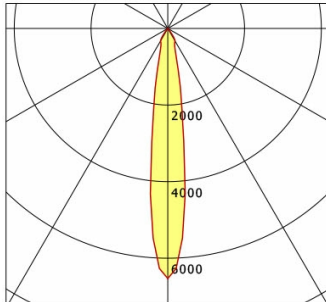
Dimensions / Weights

| | |
|--------------------------|---------------|
| Outer diameter | 134 mm |
| Height | 100 mm |
| Cut-out (Ø) | 125 mm |
| Ceiling thickness | 1.0 - 25.0 mm |
| Recessed depth | 110 mm |
| Net weight | 1.05 kg |
| Gross weight | 1.11 kg |

CSALP 60.2027.15

CSA 60 (1xLED 27W 827/2700K 2610lm 15 °)

C0/C180 cd / 1000 lm



| | C0 | C90 | C180 | C270 |
|--------------|------|------|------|------|
| 0° | 6530 | 6530 | 6530 | 6530 |
| 15° | 959 | 959 | 959 | 959 |
| 30° | 378 | 378 | 378 | 378 |
| 45° | 5 | 5 | 5 | 5 |
| 60° | 3 | 3 | 3 | 3 |
| 75° | 2 | 2 | 2 | 2 |
| 90° | 0 | 0 | 0 | 0 |
| cd / 1000 lm | | | | |

Offset [m] Cone width [m] Illuminance [lx]

| Offset [m] | Cone width [m] | Illuminance [lx] |
|------------|----------------|------------------|
| 3.0 | 0.79 | 1893.6 |
| 6.0 | 1.58 | 473.4 |
| 9.0 | 2.37 | 210.4 |
| 12.0 | 3.17 | 118.4 |
| 15.0 | 3.96 | 75.7 |

| | |
|--------------------|-------------------|
| η | LED |
| Efficiency | 97 lm/W |
| Direct/Indirect | ↓ 100% / ↑ 0% |
| System Power | 27 W |
| UGR | X=4H, Y=8H |
| Reflection factors | 70/50/20 |
| UGR C0/C180 | 18.7 |
| UGR C90/C270 | 18.7 |
| CIE Flux Codes | 99 99 100 100 100 |
| Ra/CRI | >80 |

LTS

Accessories



ZDAR 125.145-205
compensation ring for ceiling cut-outs from 145 to 205 mm