

CSALP 50.3030.15



Description

- recessed spotlight with conical light-head
- suitable for lighting of vertical surfaces
- luminaire rotates through 350° and light-head pivots out through 35°
- outstanding ease of maintenance
- no UV and thermal emissions
- thermal management with passive cooling (heat sink made from aluminium)
- specular aluminium reflector with precise symmetrical beam characteristic for high luminous efficiency and glare-free lighting
- front/recessed ring and light-head made from die-cast zinc
- clear safety glass
- tool-free ceiling mounting via quick-action clamping springs (automatic adjustment of the ceiling thickness)
- luminaire and ballast permanently connected via cable (length: 500 mm), ballast ready for mains connection
- ballast (LED converter) included (external placement)

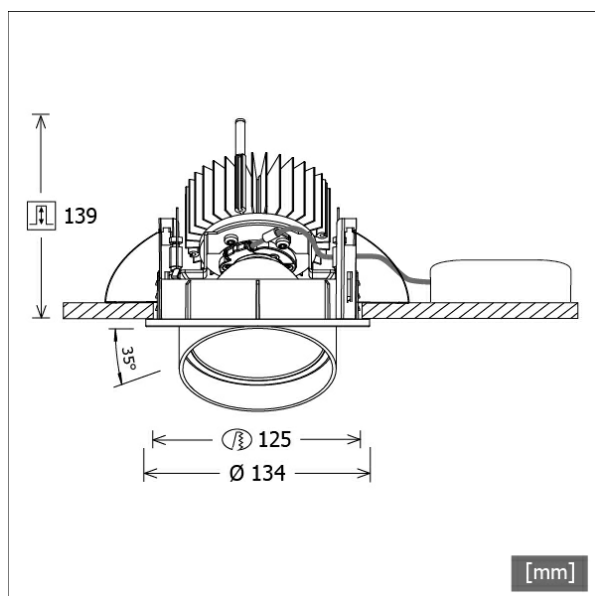
Standard options



Special options



| Colours | Article no. | EAN |
|---------|-------------|---------------|
| black | 643549 | 4043544497550 |
| silver | 643550 | 4043544497567 |
| white | 643551 | 4043544497574 |

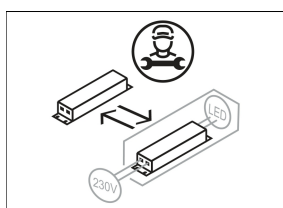
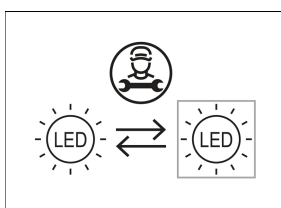


Lighting data / Norms

| | |
|--------------------------------|---|
| Lamps | LED Spot / CRI 80 / 3000 K |
| EPREL light sources | 851239 |
| Lifetime | L90 B50 50.000 h L80 B50 100.000 h L80 B20 50.000 h |
| System power | 36.0 W |
| Luminaire luminous flux | 3600 lm |
| System efficiency | 100.00 lm/W |
| Module efficiency | 158.91 lm/W |
| UGR class | ≤22 |
| Beam angle | 15° |
| Supply voltage | 220 - 240 V / 50 - 60 Hz |
| Protection class | II |
| Type of protection | IP20 |

Dimensions / Weights

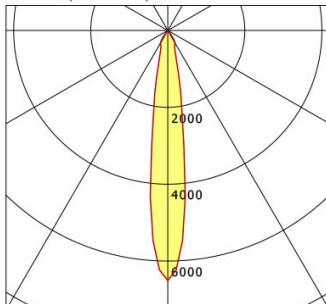
| | |
|--------------------------|---------------|
| Outer diameter | 134 mm |
| Height | 144 mm |
| Cut-out (Ø) | 125 mm |
| Ceiling thickness | 1.0 - 25.0 mm |
| Recessed depth | 139 mm |
| Net weight | 1.27 kg |
| Gross weight | 1.34 kg |



CSALP 50.3030.15

CSA 50 (1xLED 36W 830/3000K 3600lm 15 °)

C0/C180 cd / 1000 lm



| | C0 | C90 | C180 | C270 |
|--------------|------|------|------|------|
| 0° | 6506 | 6506 | 6506 | 6506 |
| 15° | 966 | 966 | 966 | 966 |
| 30° | 380 | 380 | 380 | 380 |
| 45° | 4 | 4 | 4 | 4 |
| 60° | 4 | 4 | 4 | 4 |
| 75° | 2 | 2 | 2 | 2 |
| 90° | 0 | 0 | 0 | 0 |
| cd / 1000 lm | | | | |

Offset [m] Cone width [m] Illuminance [lx]

| Offset [m] | Cone width [m] | Illuminance [lx] |
|------------|----------------|------------------|
| 3.0 | 0.79 | 2602.3 |
| 6.0 | 1.59 | 650.6 |
| 9.0 | 2.38 | 289.1 |
| 12.0 | 3.17 | 162.6 |
| 15.0 | 3.96 | 104.1 |

| | |
|--------------------|-------------------|
| η | LED |
| Efficiency | 100 lm/W |
| Direct/Indirect | ↓ 100% / ↑ 0% |
| System Power | 36 W |
| UGR | X=4H, Y=8H |
| Reflection factors | 70/50/20 |
| UGR C0/C180 | 19.8 |
| UGR C90/C270 | 19.8 |
| CIE Flux Codes | 99 99 100 100 100 |
| Ra/CRI | >80 |

LTS

Accessories



ZDAR 125.145-205
compensation ring for ceiling cut-outs from 145 to 205 mm