

CHOCM-R 171.830.80.02/DALI



Description

- rectangular recessed luminaire with wide range of applications and very low installation depth
- outstanding ease of maintenance
- no UV and thermal emissions
- thermal management via housing
- integrated high-tech lenses made from acrylic glass with black louvre optics for high luminous efficiency and glare-free lighting
- symmetrical and wide-beam light distribution
- housing made from sheet steel
- tool-free ceiling mounting via quick-action clamping springs (automatic adjustment of the ceiling thickness)
- luminaire and ballast permanently connected via cable (length: 500 mm), ballast ready for mains connection
- ballast (LED converter DALI, dimmable) included (external placement)

Notes

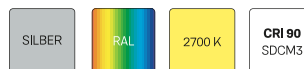
Required installation space: L x B x H = 400 x 235 x 50 mm.

Colours	Article no.	EAN
silver	665590	4043544748867
black	665591	4043544748874
white	665592	4043544748881

Standard options

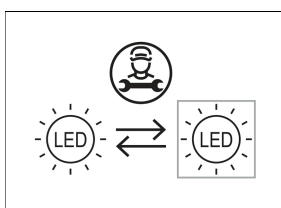
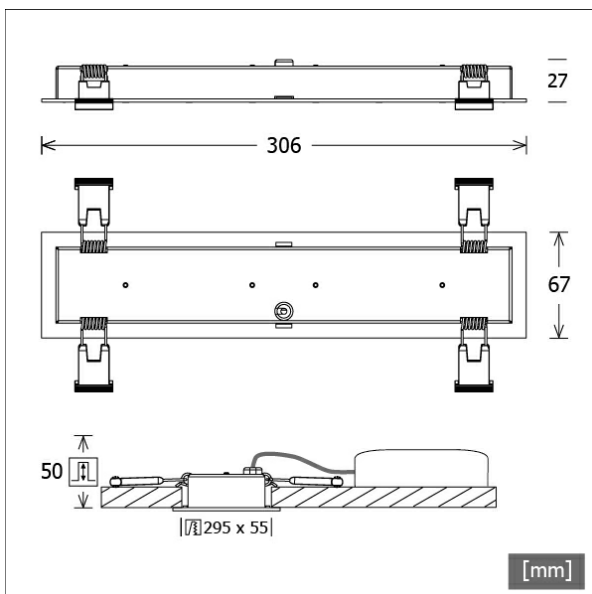


Special options



Lighting data / Norms

Lamps	LED linear / CRI 80 / 3000 K
EPREL light sources	844633
Lifetime	L90 B50 50.000 h L80 B50 100.000 h L80 B20 50.000 h
System power	12.7 W
Luminaire luminous flux	1400 lm
System efficiency	110.23 lm/W
Module efficiency	190.26 lm/W
UGR class	≤19
Beam angle	80°
Supply voltage	220 - 240 V / 50 - 60 Hz
Protection class	II
Type of protection	IP20



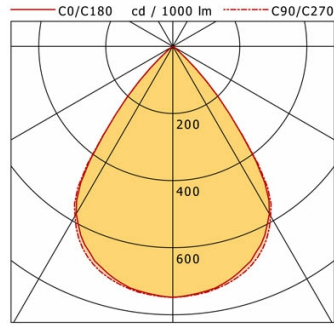
Dimensions / Weights

Length	306 mm
Width	67 mm
Height	27 mm
Cut-out (LxW)	295 x 55 mm
Ceiling thickness	1.0 - 15.0 mm
Recessed depth	50 mm
Net weight	0.76 kg
Gross weight	0.81 kg

CHOCM-R 171.830.80.02/DALI

CHOCM-R 171.830.80.02/DALI

Choc | Recessed (1xLED 13W 830/3000K 1400lm)



	C0	C90	C180	C270
0°	748	748	748	748
15°	710	718	710	718
30°	576	584	576	584
45°	120	114	120	114
60°	0	0	0	0
75°	0	0	0	0
90°	0	0	0	0
cd / 1000 lm				

Offset [m]	Cone width [m]		Illuminance [lx]
3.0	4.53	4.56	116.4
6.0	9.06	9.13	29.1
9.0	13.59	13.69	12.9
12.0	18.12	18.25	7.3
15.0	22.65	22.81	4.7

η	LED
Efficiency	108 lm/W
Direct/Indirect	↓ 100% / ↑ 0%
System Power	13 W
UGR	X=4H, Y=8H
Reflection factors	70/50/20
UGR C0/C180	18.8
UGR C90/C270	18.8
CIE Flux Codes	89 100 100 100 100
Ra/CRI	>80

LTS

Accessories



ZB-OR DONGLE
Organic Response IR dongle kit



ZB-OR GATEWAY
Organic Response IoT Gateway Cascade Series



ZB-OR-R SENSOR
Organic Response sensor for recessed mounting