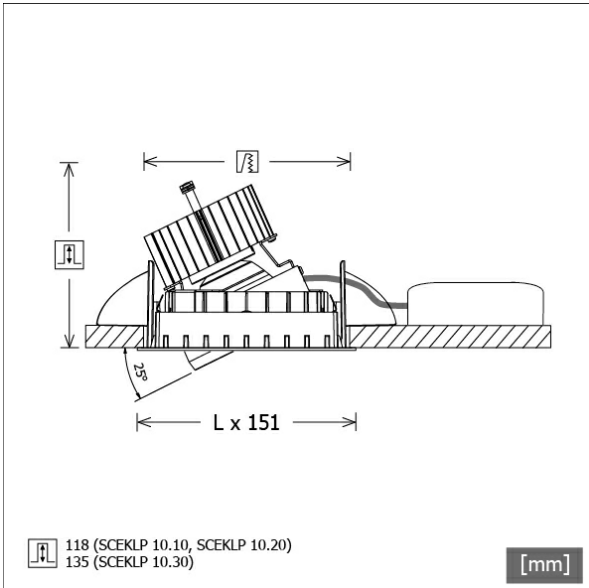


# SCEKLP 10.1041.35/DALI



Colours	Article no.	EAN
black	644050	4043544502773
silver	644051	4043544502780
white	644052	4043544502797



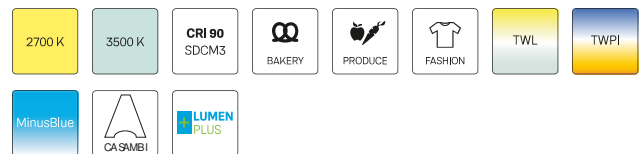
## Description

- flexible recessed spotlight system consisting of recessed frames, light-heads and ballasts (recessed frames to be ordered separately)
- adjustable ceiling look: flush with ceiling or recessed by 6 mm
- light-head rotates through 350° and pivots through 25°
- outstanding ease of maintenance
- no UV and thermal emissions
- light-head consisting of front frame (die-cast magnesium) and front ring (die-cast zinc)
- thermal management with passive cooling (heat sink made from aluminium)
- specular aluminium reflector with precise symmetrical beam characteristic for high luminous efficiency and glare-free lighting
- light-head snaps into mounting frame without tools
- connection to ballast via luminaire cable with Mini-Clamp connector
- ballast (LED converter DALI, dimmable) included (external placement)

## Standard options



## Special options



## Lighting data / Norms

Lamps	LED Spot / CRI 80 / 4000 K
EPREL light sources	848119
Lifetime	L90 B50 50.000 h
	L80 B50 100.000 h
	L80 B20 50.000 h
System power	13.4 W
Luminaire luminous flux	1490 lm
System efficiency	111.19 lm/W
Module efficiency	160.37 lm/W
UGR class	≤19
Beam range	Flood
Beam angle	36°
Supply voltage	220 - 240 V / 50 - 60 Hz
Protection class	III
Type of protection	IP20

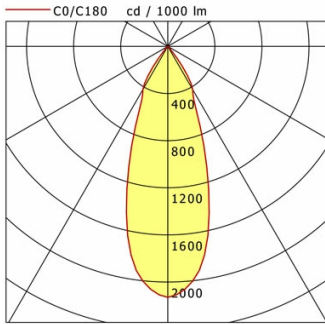
## Dimensions / Weights

Length	125 mm
Width	125 mm
Height	121 mm
Recessed depth	118 mm
Diameter of light head	100 mm
Net weight	0.87 kg
Gross weight	0.97 kg

# SCEKLP 10.1041.35/DALI

## SCEKLP 10.1041.35/DALI

Scene 1 System | Light-Head (1xLED 13W 840/4000K 1490lm)



	C0	C90	C180	C270
0°	2130	2130	2130	2130
15°	1357	1357	1357	1357
30°	424	424	424	424
45°	13	13	13	13
60°	4	4	4	4
75°	3	3	3	3
90°	0	0	0	0
cd / 1000 lm				

Offset [m]	Cone width [m]	Illuminance [lx]
3.0	1.96	352.6
6.0	3.92	88.2
9.0	5.88	39.2
12.0	7.84	22.0
15.0	9.80	14.1

<b>η</b>	LED
Efficiency	115 lm/W
Direct/Indirect	↓ 100% / ↑ 0%
System Power	13 W
<b>UGR</b>	X=4H, Y=8H
Reflection factors	70/50/20
UGR C0/C180	18.0
UGR C90/C270	18.0
CIE Flux Codes	98 99 100 100 100
Ra/CRI	>80

LTS

### Accessories



**SCER 1.100**  
mounting frame 1-lamp



**SCER 1.200**  
mounting frame 2-lamp



**SCER 1.300**  
mounting frame 3-lamp



**ZB-OR DONGLE**  
Organic Response IR dongle kit



**ZB-OR GATEWAY**  
Organic Response IoT Gateway Cascade Series



**ZB-OR-R SENSOR**  
Organic Response sensor for recessed mounting