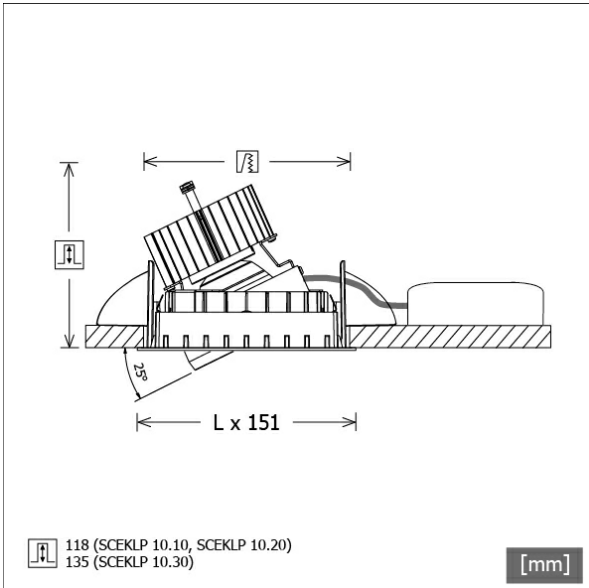


SCEKLP 10.1030.35



| Colours | Article no. | EAN |
|---------|-------------|---------------|
| black | 619364 | 4043544300416 |
| silver | 619365 | 4043544300423 |
| white | 619366 | 4043544300430 |



Description

- flexible recessed spotlight system consisting of recessed frames, light-heads and ballasts (recessed frames to be ordered separately)
- adjustable ceiling look: flush with ceiling or recessed by 6 mm
- light-head rotates through 350° and pivots through 25°
- outstanding ease of maintenance
- no UV and thermal emissions
- light-head consisting of front frame (die-cast magnesium) and front ring (die-cast zinc)
- thermal management with passive cooling (heat sink made from aluminium)
- specular aluminium reflector with precise symmetrical beam characteristic for high luminous efficiency and glare-free lighting
- light-head snaps into mounting frame without tools
- connection to ballast via luminaire cable with Mini-Clamp connector
- ballast (LED converter) included (external placement)

Standard options



Special options



Lighting data / Norms

| | |
|-------------------------|----------------------------|
| Lamps | LED Spot / CRI 80 / 3000 K |
| EPREL light sources | 848117 |
| Lifetime | L90 B50 50.000 h |
| | L80 B50 100.000 h |
| | L80 B20 50.000 h |
| System power | 13.4 W |
| Luminaire luminous flux | 1410 lm |
| System efficiency | 105.22 lm/W |
| Module efficiency | 156.64 lm/W |
| UGR class | ≤19 |
| Beam range | Flood |
| Beam angle | 36° |
| Supply voltage | 220 - 240 V / 50 - 60 Hz |
| Protection class | III |
| Type of protection | IP20 |

Dimensions / Weights

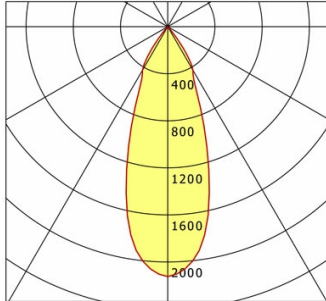
| | |
|------------------------|---------|
| Length | 125 mm |
| Width | 125 mm |
| Height | 121 mm |
| Recessed depth | 118 mm |
| Diameter of light head | 100 mm |
| Net weight | 0.65 kg |
| Gross weight | 0.71 kg |

SCEKLP 10.1030.35

SCEKLP 10.1030.35

Scene 1 System | Light-Head (1xLED 13W 830/3000K 1410lm)

C0/C180 cd / 1000 lm



| | C0 | C90 | C180 | C270 |
|--------------|------|------|------|------|
| 0° | 2124 | 2124 | 2124 | 2124 |
| 15° | 1361 | 1361 | 1361 | 1361 |
| 30° | 427 | 427 | 427 | 427 |
| 45° | 12 | 12 | 12 | 12 |
| 60° | 3 | 3 | 3 | 3 |
| 75° | 2 | 2 | 2 | 2 |
| 90° | 0 | 0 | 0 | 0 |
| cd / 1000 lm | | | | |

Offset [m] Cone width [m] Illuminance [lx]

| Offset [m] | Cone width [m] | Illuminance [lx] |
|------------|----------------|------------------|
| 3.0 | 1.97 | 332.7 |
| 6.0 | 3.94 | 83.2 |
| 9.0 | 5.90 | 37.0 |
| 12.0 | 7.87 | 20.8 |
| 15.0 | 9.84 | 13.3 |

| | |
|--------------------|-------------------|
| η | LED |
| Efficiency | 109 lm/W |
| Direct/Indirect | ↓ 100% / ↑ 0% |
| System Power | 13 W |
| UGR | X=4H, Y=8H |
| Reflection factors | 70/50/20 |
| UGR C0/C180 | 17.8 |
| UGR C90/C270 | 17.8 |
| CIE Flux Codes | 98 99 100 100 100 |
| Ra/CRI | >80 |

LTS

Accessories



SCER 1.100
mounting frame 1-lamp



SCER 1.200
mounting frame 2-lamp



SCER 1.300
mounting frame 3-lamp