

# CHOCM-R 140.830.80.02/DALI



## Description

- rectangular recessed luminaire with wide range of applications and very low installation depth
- outstanding ease of maintenance
- no UV and thermal emissions
- thermal management via housing
- integrated high-tech lenses made from acrylic glass with black louvre optics for high luminous efficiency and glare-free lighting
- symmetrical and wide-beam light distribution
- housing made from sheet steel
- tool-free ceiling mounting via quick-action clamping springs (automatic adjustment of the ceiling thickness)
- luminaire and ballast permanently connected via cable (length: 500 mm), ballast ready for mains connection
- ballast (LED converter DALI, dimmable) included (external placement)

## Notes

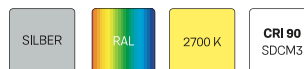
Required installation space: L x B x H = 280 x 240 x 50 mm.

| Colours | Article no. | EAN           |
|---------|-------------|---------------|
| silver  | 665581      | 4043544748775 |
| black   | 665582      | 4043544748782 |
| white   | 665583      | 4043544748799 |

## Standard options

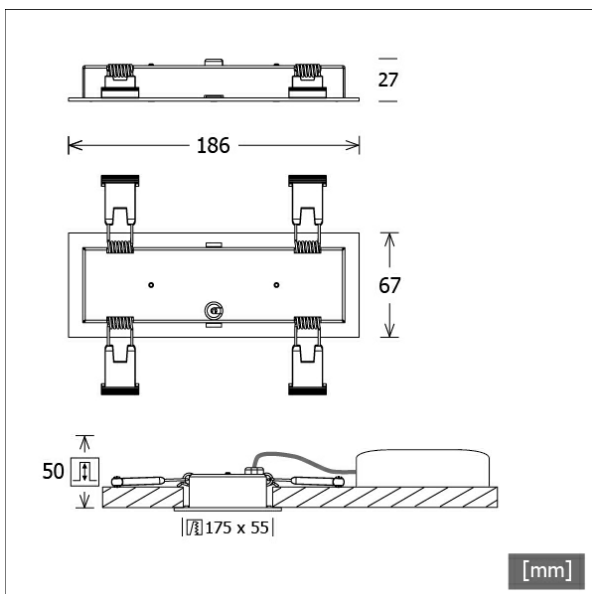


## Special options



## Lighting data / Norms

|                         |   |
|-------------------------|---|
| Lamps                   | LED linear / CRI 80 / 3000 K                              |
| EPREL light sources     | 1226325   |
| Lifetime                | L90 B50 50.000 h<br>L80 B50 100.000 h<br>L80 B20 50.000 h |
| System power            | 7.8 W   |
| Luminaire luminous flux | 810 lm  |
| System efficiency       | 103.84 lm/W   |
| Module efficiency       | 193.95 lm/W   |
| UGR class               | ≤19   |
| Beam angle              | 80°   |
| Supply voltage          | 220 - 240 V / 50 - 60 Hz                                  |
| Protection class        | II  |
| Type of protection      | IP20  |



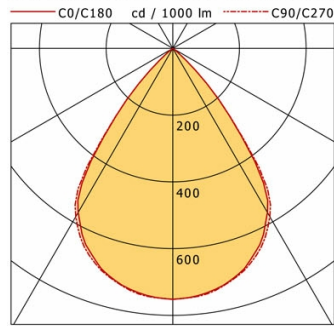
## Dimensions / Weights

|                   |               |
|-------------------|---------------|
| Length            | 186 mm        |
| Width             | 67 mm         |
| Height            | 27 mm         |
| Cut-out (LxW)     | 175 x 55 mm   |
| Ceiling thickness | 1.0 - 15.0 mm |
| Recessed depth    | 50 mm         |
| Net weight        | 0.51 kg       |
| Gross weight      | 0.54 kg       |

# CHOCM-R 140.830.80.02/DALI

## CHOCM-R 140.830.80.02/DALI

Choc | Recessed (1xLED 8W 830/3000K 810lm)



|              | C0  | C90 | C180 | C270 |
|--------------|-----|-----|------|------|
| 0°           | 752 | 752 | 752  | 752  |
| 15°          | 711 | 714 | 711  | 714  |
| 30°          | 568 | 582 | 568  | 582  |
| 45°          | 121 | 120 | 121  | 120  |
| 60°          | 0   | 0   | 0    | 0    |
| 75°          | 0   | 0   | 0    | 0    |
| 90°          | 0   | 0   | 0    | 0    |
| cd / 1000 lm |     |     |      |      |

| Offset [m] | Cone width [m] |  | Illuminance [lx] |
|------------|----------------|--|------------------|
| 3.0        | 4.52   4.57    |  | 67.7             |
| 6.0        | 9.03   9.14    |  | 16.9             |
| 9.0        | 13.55   13.71  |  | 7.5              |
| 12.0       | 18.07   18.28  |  | 4.2              |
| 15.0       | 22.58   22.85  |  | 2.7              |

|                    |                    |
|--------------------|--------------------|
| <b>η</b>           | LED                |
| Efficiency         | 101 lm/W           |
| Direct/Indirect    | ↓ 100% / ↑ 0%      |
| System Power       | 8 W                |
| <b>UGR</b>         | X=4H, Y=8H         |
| Reflection factors | 70/50/20           |
| UGR C0/C180        | 18.8               |
| UGR C90/C270       | 18.8               |
| CIE Flux Codes     | 88 100 100 100 100 |
| Ra/CRI             | >80                |

LTS

### Accessories



**ZB-OR DONGLE**  
Organic Response IR dongle kit



**ZB-OR GATEWAY**  
Organic Response IoT Gateway Cascade Series



**ZB-OR-R SENSOR**  
Organic Response sensor for recessed mounting