

# LFLEXM 233.840

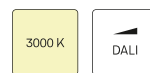


## Description

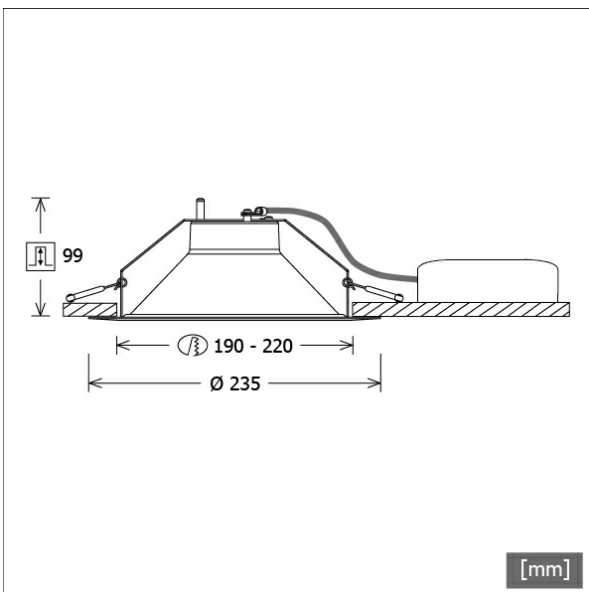
- environmentally friendly and cost-efficient round refurbishment downlight for diverse lighting tasks
- luminaire with halogen-free wiring
- outstanding ease of maintenance
- no UV and thermal emissions
- innovative thermal management via reflector (no heat sink required)
- high-tech reflector lens made from PMMA for high luminous efficiency and glare-free lighting
- white powder-coated high performance aluminium reflector with precise symmetrical beam characteristic
- recessed ring made from white powder-coated sheet steel
- tool-free ceiling mounting via automatic quick clamping (automatic adjustment of the ceiling thickness)
- luminaire and ballast permanently connected via cable (length: 500 mm), ballast ready for mains connection
- ballast (LED converter) included (external placement)

| Colours | Article no. | EAN           |
|---------|-------------|---------------|
| white   | 669518      | 4043544811905 |

## Standard options



## Special options

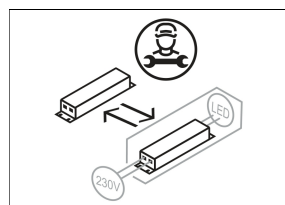
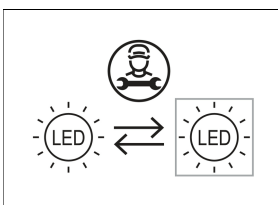


## Lighting data / Norms

|                         |   |
|-------------------------|---|
| Lamps                   | LED Spot / CRI 80 / 4000 K  |
| EPREL light sources     | 848119<br>L90 B50 50.000 h<br>L80 B50 100.000 h<br>L80 B20 50.000 h |
| Lifetime                |   |
| System power            | 25.8 W  |
| Luminaire luminous flux | 3460 lm   |
| System efficiency       | 134.10 lm/W   |
| Module efficiency       | 160.37 lm/W   |
| UGR class               | ≤19   |
| Beam angle              | 67°   |
| Supply voltage          | 220 - 240 V / 50 - 60 Hz  |
| Protection class        | II  |
| Type of protection      | IP20  |

## Dimensions / Weights

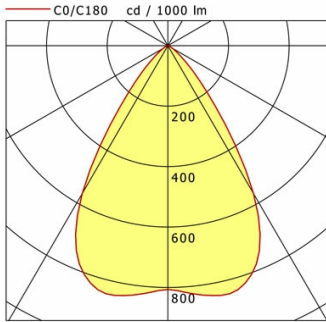
|                   |                |
|-------------------|----------------|
| Outer diameter    | 235 mm         |
| Height            | 102 mm         |
| Cut-out (Ø)       | 190 mm         |
| Ceiling thickness | 10.0 - 26.0 mm |
| Recessed depth    | 99 mm          |
| Net weight        | 0.48 kg        |
| Gross weight      | 0.60 kg        |



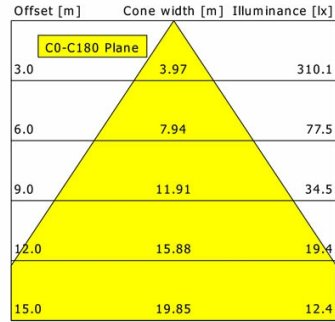
# LFLEXM 233.840

## LFLEXM 233.840

Lewy Flex Medium (1xLED 26W 840/4000K 3460lm 67°)



|              | C0  | C90 | C180 | C270 |
|--------------|-----|-----|------|------|
| 0°           | 807 | 807 | 807  | 807  |
| 15°          | 844 | 844 | 844  | 844  |
| 30°          | 565 | 565 | 565  | 565  |
| 45°          | 112 | 112 | 112  | 112  |
| 60°          | 18  | 18  | 18   | 18   |
| 75°          | 3   | 3   | 3    | 3    |
| 90°          | 0   | 0   | 0    | 0    |
| cd / 1000 lm |     |     |      |      |



|                    |                   |
|--------------------|-------------------|
| <b>η</b>           | LED               |
| Efficiency         | 133 lm/W          |
| Direct/Indirect    | ↓ 100% / ↑ 0%     |
| System Power       | 26 W              |
| <b>UGR</b>         | X=4H, Y=8H        |
| Reflection factors | 70/50/20          |
| UGR C0/C180        | 19.1              |
| UGR C90/C270       | 19.1              |
| CIE Flux Codes     | 88 99 100 100 100 |
| Ra/CRI             | >80               |

LTS