

ST-A 30/9000A-3-ST



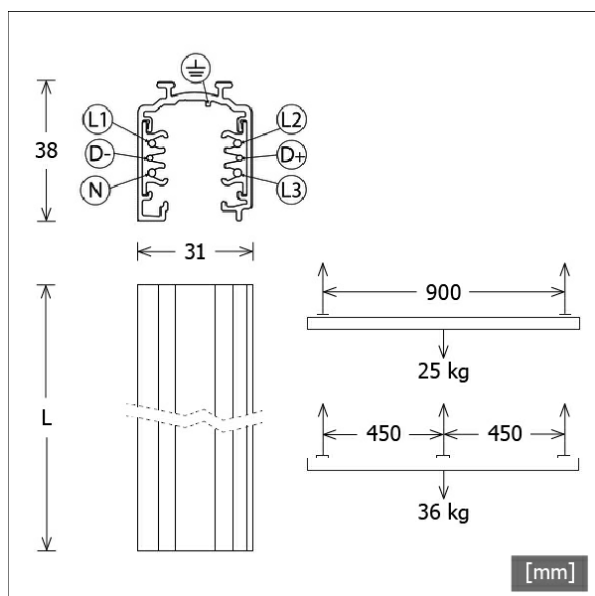
Description

- surface-mounted track with data bus (length: 3000 mm)
- also suitable for 3-phase track adapters without bus function
- realisation of lighting tasks with DALI technology
- 6-conductor track with three separately controllable current circuits
- extruded aluminium profile which also functions as earth
- length can be adjusted on site by easily shortening the track (cutting tool ST-ZCUT/S-9000/T-N required for shortening the copper conductors)
- easy ceiling mounting with pre-punched oval mounting holes
- mechanical load diagramm see additional data sheet
- max. electrical load: AC mains power supply 3.6 kVA, 3-phase network 3 x 3.6 kVA = 10.8 kVA
- rated current and voltage: 16 A / 440 V (1 A / 50 V AC FELV)
- system components to be ordered separately

Dimensions / Weights

Length	3000 mm
Width	31 mm
Height	38 mm
Net weight	2.63 kg
Gross weight	2.77 kg

Colours	Article no.	EAN
grey	659394	4043544785923
black	659395	4043544785930
white	659396	4043544785947



ST-A 30/9000A-3-ST

Accessories



EU 36
universal hook



EU 37
cap for universal hook



LA 30 SA-NORDIC
3-phase track adapter for wire-rope suspension



ST-A CAP/9004
end cover for surface-mounted track



ST-A F/PE-L/9002
end feed-in with polarity left



ST-A F/PE-R/9001
end feed-in with polarity right



ST-A FLEX/9018
flexible connector



ST-A I/9010
electric linear connector with feed-in



ST-A L/PE-IN/9011
L-connector with polarity inside and feed-in



ST-A L/PE-OUT/9012
L-connector with polarity outside and feed-in



ST-A P/19/S-9000-P3
pendant-rod suspension
(length: 1000 mm)



ST-A S/9000-KIT4/1500
wire-rope suspension (length: 1500 mm) + fixing
clamp

ST-A 30/9000A-3-ST

Accessories



ST-A S/9000-KIT4/3000
wire-rope suspension (length: 3000 mm) + fixing clamp



ST-A S/9000-KIT4/5000
wire-rope suspension (length: 5000 mm) + fixing clamp



ST-A S/S-9000-111
ceiling bracket



ST-A S/S-9000-116
ceiling bracket with Reutlinger



ST-A S/S-9000-131
fixing clamp



ST-A S28
wire-rope suspension 2-fold with stabilizer



ST-A T/PE-IN-L/9015
T-connector with polarity inside left and feed-in



ST-A T/PE-IN-R/9016
T-connector with polarity inside right and feed-in



ST-A T/PE-OUT-L/9013
T-connector with polarity outside left and feed-in



ST-A T/PE-OUT-R/9014
T-connector with polarity outside right and feed-in



ST-A X/9017
X-connector with feed-in



ST-IE/9003
electric linear connector (inside)



ST-IM/S-9000-322-LA
mechanical coupler (outside)



ST-ZLA 30
3-phase track adapter



ST-ZLA 30 M10
3-phase track adapter with thread nipple M10



ST-ZLA 30 M13
3-phase track adapter with thread nipple M13



ST-ZLAB 30 M13
3-phase track bus adapter with thread nipple M13



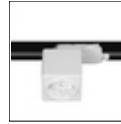
ST-ZCOV/S-9000/GP
cover strip

ST-A 30/9000A-3-ST

Accessories



ST-ZCUT/S-9000/T-N
cutting tool



ST-ZSCHUKO/4230V
socket adapter for 3-phase track